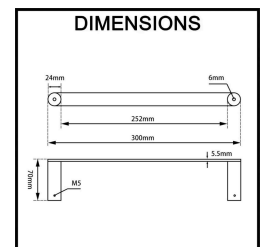


## Esperia Stainless Steel Single Towel Rail - 300mm - Chrome

Brand: NORICO • Product SKU: AQP-AR5301-3184 • RRP: \$55.95



**NORICO**

### PRODUCT DESCRIPTION

This Norico Esperia towel hanger boasts a 304 stainless steel construction to withstand the daily wear and tear. Its contemporary and minimalist look matches with most bathroom styles, decor, and interior. Combining style and functionality, this towel rail is a bathroom essential for every home.

### FEATURES

- **CONTEMPORARY** - Simple and smooth design plus rounded corners and edges complementing most modern homes
- **SOLID BUILD** - Advanced rust proofing, aesthetic and well-designed for daily use with installation fittings that conform to the Australian Standard
- **MATCHING FIXTURES** - Shop from the Norico Esperia bathroom range, with soft lines and classic designs to create a matching bathroom interior
- **DURABLE** - Constructed from 304 stainless steel which makes it less likely to bend or distort
- **PEACE OF MIND** - Backed by 15 year warranty + 1 year labour warranty (see terms and conditions)

*Information and prices shown in this document may change without prior notice. Please refer to our website for the most accurate, up-to-date information about this product.*



Money Back Guarantee\*



Enjoy Free Freight Protection



Earn Reno Dollars as a MEMBER



**RenovatorStore.com.au**

49-51 Mills Road  
3195 Braeside, Australia  
☎ (03) 9544 3003

✉ [service@renovatorstore.com.au](mailto:service@renovatorstore.com.au)

## ADDITIONAL INFORMATION

### Specifications:

- **Height:** 5.5mm
- **Length:** 300mm
- **Width:** 70mm
- **Composition:** 304 Stainless Steel
- **Finish:** Chrome
- **Warranty:** **15 years.** Terms and conditions apply - see supplier's website for returns and warranties policy.

**Important Note:** Avoid using harsh abrasives, scouring powders, bleach and other chlorine products when cleaning the item

Download the specs sheet [here](#).

Package Contents: **1\*Towel Holder with installation fittings**

Information and prices shown in this document may change without prior notice. Please refer to our website for the most accurate, up-to-date information about this product.



Money Back Guarantee\*



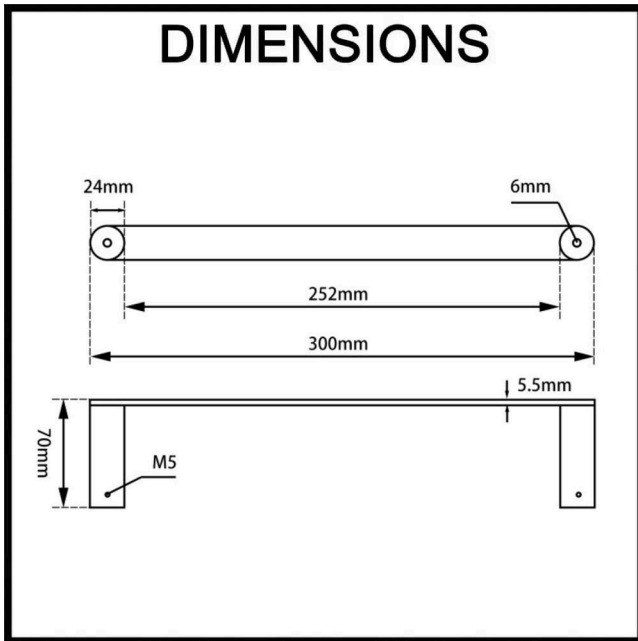
Enjoy Free Freight Protection



Earn Reno Dollars as a MEMBER

## ADDITIONAL INFORMATION

### Dimensions



Information and prices shown in this document may change without prior notice. Please refer to our website for the most accurate, up-to-date information about this product.



Money Back Guarantee\*



Enjoy Free Freight Protection



Earn Reno Dollars as a MEMBER