

## Stainless Steel Expandable Colander - Kitchen Accessory - 480mm Max Length

Brand: HIGOLD • Product SKU: HG-984199C-2657 • RRP: \$89.00



**HIGOLD®**

### PRODUCT DESCRIPTION

This Expandable Stainless Steel Colander from Higold helps you to work conveniently and safer. You do not have to worry making a mess defrosting or draining your dishes as it has been designed to be placed on top of your kitchen sink and direct all the drippings straight into the bowl of your kitchen sink. Its stainless steel construction ensures durability and food safety at all times.

### FEATURES

- **DURABLE** - Built using stainless steel, taking advantage of its extreme toughness and impact resistance
- **RUST-RESISTANT** - Stainless steel prevents rusting, making it a clean and healthy kitchen upgrade
- **ADJUSTABLE** - Take advantage of its expandable handles to make it fit your kitchen sink
- **CONVENIENT** - It can fit most Higold kitchen sinks that have bowl openings that are smaller than 480mm
- **SAFE** - Avoid accidents by directing the water drippings into the bowl of your kitchen sink

Information and prices shown in this document may change without prior notice. Please refer to our website for the most accurate, up-to-date information about this product.



Money Back Guarantee\*



Enjoy Free Freight Protection



Earn Reno Dollars as a MEMBER



**RenovatorStore.com.au**

49-51 Mills Road  
3195 Braeside, Australia  
☎ (03) 9544 3003

✉ [service@renovatorstore.com.au](mailto:service@renovatorstore.com.au)

## ADDITIONAL INFORMATION

### Specifications:

- **Materials:** Stainless steel
- **Length:** 360.4mm
- **Maximum expanded length:** 480mm
- **Width:** 246.4mm
- **Height:** 103mm
- **Warranty:** 1 year manufacturer's warranty

*Information and prices shown in this document may change without prior notice. Please refer to our website for the most accurate, up-to-date information about this product.*



Money Back Guarantee\*



Enjoy Free Freight Protection

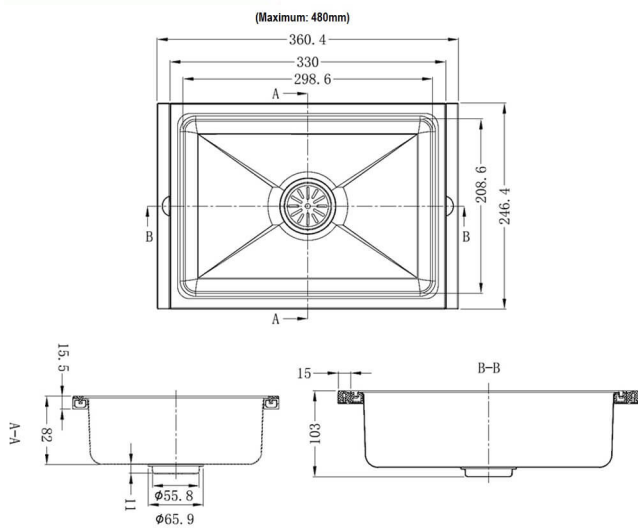


Earn Reno Dollars as a MEMBER

## ADDITIONAL INFORMATION

### Dimensions

## DIMENSIONS



Information and prices shown in this document may change without prior notice. Please refer to our website for the most accurate, up-to-date information about this product.



Money Back Guarantee\*



Enjoy Free Freight Protection



Earn Reno Dollars as a MEMBER