

Esperia Bathtub/Basin Wall Mixer With Spout - Chrome

Brand: NORICO • Product SKU: AQP-WMT1401-3063 • RRP: \$199.00



NORICO

PRODUCT DESCRIPTION

Experience the perfect fusion of style and functionality with the contemporary Esperia mixer with spout. Featuring a reliable ceramic disk, this stunning product combines elegance and performance. Its sleek design incorporates a beautiful back plate that holds both the spout and mixer, offering a clutter-free look for your bathroom.

FEATURES

- **VERSATILE** - Its modern design helps the mixer fit any type of bathroom style
- **STRONG** - Durable and corrosion resistant solid brass construction
- **EASY INSTALLATION** - All required mounting parts and instructions included
- **QUALITY** - Developed to comply with Australian/NZ Standards
- **RELIABLE** - Norico's 15-year replacement warranty is the indication of its excellence in product quality

Information and prices shown in this document may change without prior notice. Please refer to our website for the most accurate, up-to-date information about this product.



Money Back Guarantee*



Enjoy Free Freight Protection



Earn Reno Dollars as a MEMBER

ADDITIONAL INFORMATION

Specifications:

- **Height:** 100mm
- **Length:** 209mm
- **Composition:** Solid Brass
- **Finish:** Chrome
- **Water Rating:** 4.5L/Min, 6 Star
- **Maximum operating pressure:** 1000kPa (best used at 300-800kPa)
- **Temperature rating:** 80 degrees C maximum, 5 degrees C minimum
- **Watermark Approved:** Certified under AS/NZS 6400
- **WELS Registration:** T33158
- **Warranty: 15 years.** Terms and conditions apply - see supplier's website for returns and warranties policy.

Download the specs sheet [here](#).

Package Contents: 1*Shower mixer with spout, Installation accessories

Fully Compliant with Australian/NZ Standards

- **Watermark Approved:** certified under AS/NZS 6400
- **WELS Rated:** 5 star, 5 litres per minute flow restrictor installed in accordance with AS/NZS 6400
- **WELS License:** 1818
- **WELS Registration Number:** T33158

Information and prices shown in this document may change without prior notice. Please refer to our website for the most accurate, up-to-date information about this product.



Money Back Guarantee*



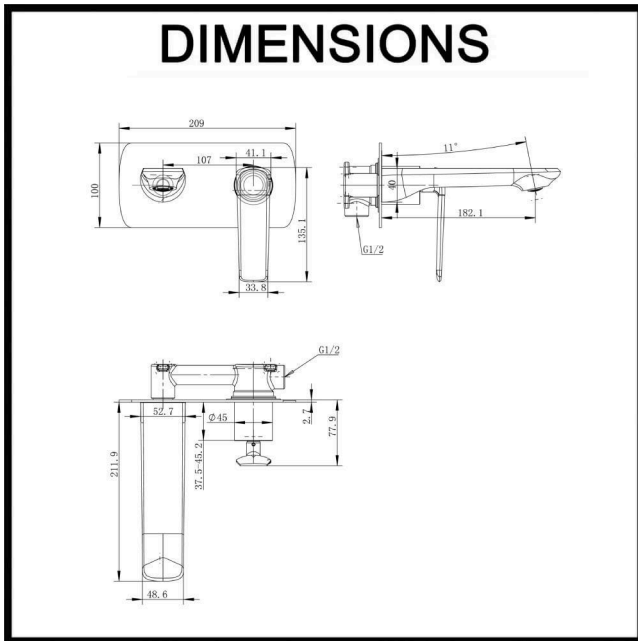
Enjoy Free Freight Protection



Earn Reno Dollars as a MEMBER

ADDITIONAL INFORMATION

Dimensions



Information and prices shown in this document may change without prior notice. Please refer to our website for the most accurate, up-to-date information about this product.



Money Back Guarantee*



Enjoy Free Freight Protection



Earn Reno Dollars as a MEMBER