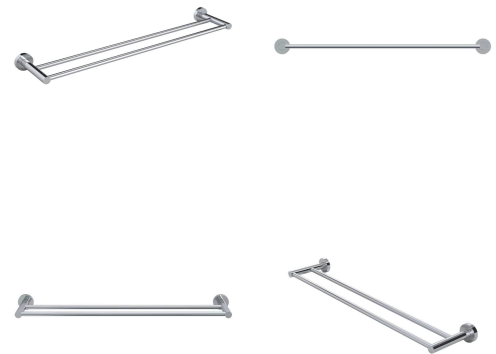


Round Stainless Steel Double Towel Rail - Chrome - 600mm

Brand: MEIR • Product SKU: MEIR-MR01RC-2012 • RRP: \$99.00



meir.®

PRODUCT DESCRIPTION

This MEIR MR01R Round Double Towel Rail is a functional addition to any bathroom. Its overall design allows for it to hold multiple towels at the same time. Constructed from premium stainless steel material, this bathroom accessory maintains its durability over time.

FEATURES

- COMPACT - Its 600mm length fits bathrooms with small spaces
- RUST-RESISTANT - Solid brass is one of the well known metals that do not contain iron, hence, avoids rusting over time
- ELEGANT - Tiger bronze finish is made with anti-fingerprint technology, which exudes a remarkable beauty and ensures a neat and tidy visual appeal
- FUNCTIONAL - Its overall design allows it to hold multiple towels at the same time
- PEACE OF MIND - Backed by a 10-year manufacturer's warranty for domestic repair or replacement

Information and prices shown in this document may change without prior notice. Please refer to our website for the most accurate, up-to-date information about this product.



Money Back Guarantee*



Enjoy Free Freight Protection




Earn Reno Dollars as a MEMBER



RenovatorStore.com.au

49-51 Mills Road
3195 Braeside, Australia
 (03) 9544 3003

 service@renovatorstore.com.au

ADDITIONAL INFORMATION

Specifications:

- **Model:** Meir MR01-R-C
- **Material:** Stainless steel
- **Finish:** Polished chrome
- **Width:** 600mm
- **Depth:** 131mm
- **Backplate Shape:** Round
- **Backplate Width/Height:** 45mm

Please note, this product may have a visible Meir or Watermark logo. The actual colour may vary due to lighting and screen resolutions.

Click [here](#) to download the care instructions and parts diagram sheet of this product.

Care Instructions

- Do not use any chemical-based or harsh cleaners. Avoid any rough surface materials such as scourers
- Only use a soft cloth with warm soapy water
- Filters and aerators must be regularly cleaned
- In hard-water usage areas, high-quality water softeners and filters must be used

Information and prices shown in this document may change without prior notice. Please refer to our website for the most accurate, up-to-date information about this product.



Money Back Guarantee*



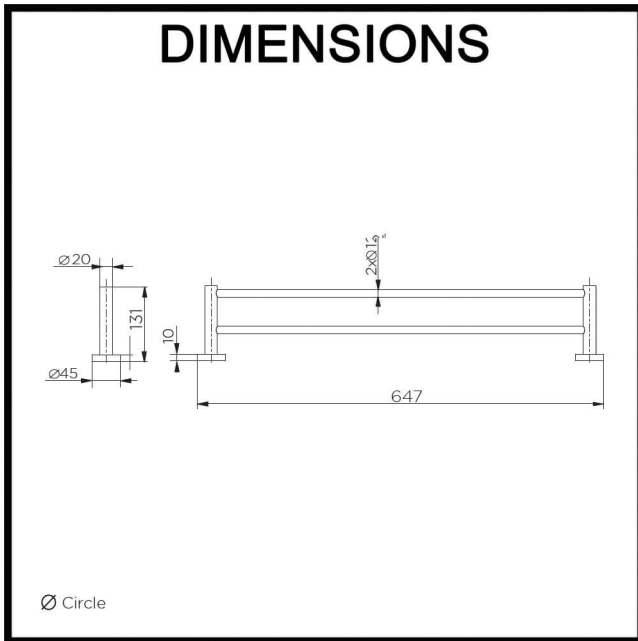
Enjoy Free Freight Protection



Earn Reno Dollars as a MEMBER

ADDITIONAL INFORMATION

Dimensions:



Information and prices shown in this document may change without prior notice. Please refer to our website for the most accurate, up-to-date information about this product.



Money Back Guarantee*



Enjoy Free Freight Protection



Earn Reno Dollars as a MEMBER