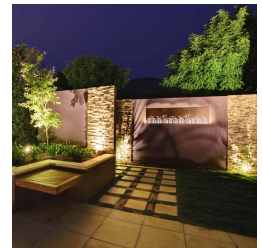


Kolec Garden LED Spike Light with Hood - 3000K - Dark Grey

Brand: CLA LIGHTING • Product SKU: CLA-KOLEC1-1872 • RRP: \$107.45



PRODUCT DESCRIPTION

This LED Outdoor Spike Light is a perfect complement to backyards, patios, or gardens. It is a great functional addition to your exterior spaces as it can be used to direct light and focus on the things you wish to highlight. It has a die-cast aluminum construction that ensures it stays strong even if placed under hard conditions outdoors. It produces 3000K warm white light due to its energy-efficient LED chips.

FEATURES

- CONTEMPORARY - Built with a dark-coloured finish to suit modern landscapes
- CONVENIENT - Easy to maintain lighting renovation solution that ensures an elegantly lit and safe outdoor space
- DESIGNED FOR AUSTRALIAN WEATHER - Dust tight and weather proof to IP65 rating (Install with waterproof connections and circular cable)
- FLEXIBLE - Can be repositioned to achieve perfect illumination; the adjustable hooded lamp holder provides control over light impact and direction
- FUNCTIONAL - It produces a 3000K warm light that gives you a cozy and relaxing feeling while strolling on your outdoor landscapes

Information and prices shown in this document may change without prior notice. Please refer to our website for the most accurate, up-to-date information about this product.



Money Back Guarantee*



Enjoy Free Freight Protection



Earn Reno Dollars as a MEMBER

ADDITIONAL INFORMATION

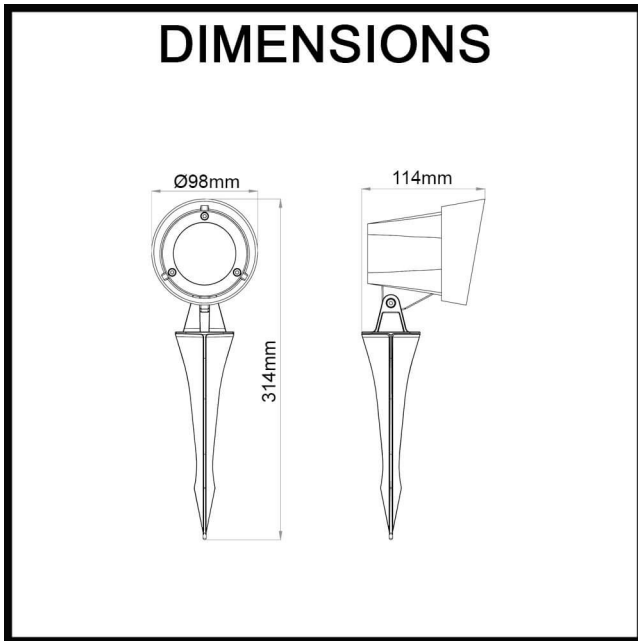
Specifications

- **Height:** 314mm
- **Width:** 98mm
- **Depth:** 114mm
- **LED Chip Type:** COB
- **Kelvin:** 3000K
- **Lumens:** 930LM
- **Beam Angle:** 14.7 degrees
- **Degree of Adjustability (Tilt):** 10 to 80 degrees
- **Input Voltage Range:** 12-24V AC 50/60Hz
- **Flex:** 1000mm
- **Power Factor:** >0.5
- **CRI:** >80
- **Ambient Temp:** -20 to 50 degrees Celsius
- **Lifetime:** 30,000 hours
- **Wattage:** 13W
- **Equilavent Incandescent Wattage:** 70W
- **IP Rating:** IP65 (Dust tight and weather proof)
- *To maintain the IP rating, use circular cable in junction*
- *For parallel and single connection, we recommend using an appropriate IP68 connector (CLA Connector: [CONN001](#) & [CONN002](#))*
- **Material:** Die-cast Aluminum
- **Finish:** Dark Grey
- **Spike Material:** PC
- **Diffuser:** Clear Glass
- **Screws included?:** Yes, stainless steel
- *Suitable for 2-way switching*
- *Suitable for use with Microwave or PIR sensors*
- *Constant voltage driver required*
- *Recommended CLA 12V waterproof LED drivers*



ADDITIONAL INFORMATION

Dimensions:



Information and prices shown in this document may change without prior notice. Please refer to our website for the most accurate, up-to-date information about this product.



Money Back Guarantee*



Enjoy Free Freight Protection



Earn Reno Dollars as a MEMBER