

## Hotwire Heated Towel Rail - Curved Round Bar (H900mmxW700mm) with Timer - Black

Brand: HOTWIRE • Product SKU: HOTWIRE-CR10BL-1463 • RRP: \$680.00 • Sale Price: \$612.00

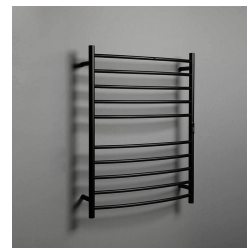


with Built-in Timer



### Built in Timer

All Hotwire rails include a built-in timer and an on/off switch. The colour varies to suit the rail.



### PRODUCT DESCRIPTION

This 700mm wide curved-bar heated towel rail from Hotwire Heating provides the comfort of warm, dry towels in winter that your family deserves. This 130W heated towel rail has a modern design with its curved matte black stainless steel bars. The classic structure easily complements any bathroom interior design.

### FEATURES

- BUILT-IN TIMER - All new Hotwire rails include a built-in timer and an on/off switch. The colour varies to suit the rail.
- DURABLE - Made with 304-grade stainless steel that can endure daily usage
- STYLISH - Curved horizontal bars highlights its modern design
- COMPACT - Perfect for smaller bathroom spaces. Can accommodate 3 towels at the same time
- QUALITY - Manufactured to international standards and has an IP55 splashproof rating

Information and prices shown in this document may change without prior notice. Please refer to our website for the most accurate, up-to-date information about this product.



Money Back Guarantee\*



Enjoy Free Freight Protection



Earn Reno Dollars as a MEMBER

## ADDITIONAL INFORMATION

### Specifications

- **Height:** 900mm
- **Width:** 700mm
- **Depth:** 140mm
- **Weight:** 4.5kg
- **Number of Rails:** 10
- **Watts:** 130W
- **Supply:** 230/240 volts a.c. 50 HZ
- **Wiring:** 1.5 metres of flex is provided. Components for concealed wiring included.
- **Material:** 304-grade stainless steel
- **Finish:** Black
- **Concealed Wiring Adaptor:** Yes
- **Running Costs Per Hr approx.\*\*:** 3¢
- **Surface temperature:** 35 degrees C (may reach 50-55 degrees with a towel on)
- **IP Rating:** IP55 Splashproof
- **Warranty:** 5-year replacement
- **Compliance:** Electrical safety standards AS/NZ60335.2.43:2018

Download the Specs Sheet [here](#).

*\*\* Running costs calculation is based on an electricity tariff of 25¢ per kilowatt. Check with your electricity provider on your current tariff. No responsibility is taken for the correct calculation of running costs*

Information and prices shown in this document may change without prior notice. Please refer to our website for the most accurate, up-to-date information about this product.



Money Back Guarantee\*



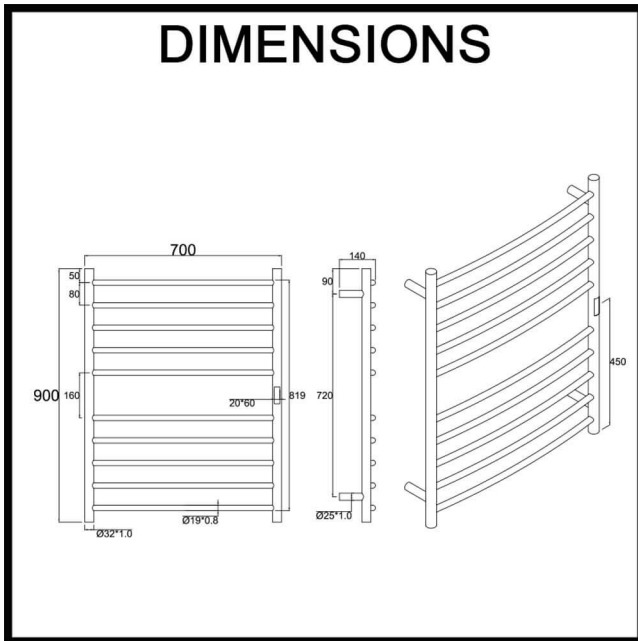
Enjoy Free Freight Protection



Earn Reno Dollars as a MEMBER

## ADDITIONAL INFORMATION

### Dimensions



**Note:** All measurements and specifications are subject to change without notice. The exact dimensions of the product supplied may vary slightly from the specifications provided.

Information and prices shown in this document may change without prior notice. Please refer to our website for the most accurate, up-to-date information about this product.



Money Back Guarantee\*



Enjoy Free Freight Protection



Earn Reno Dollars as a MEMBER