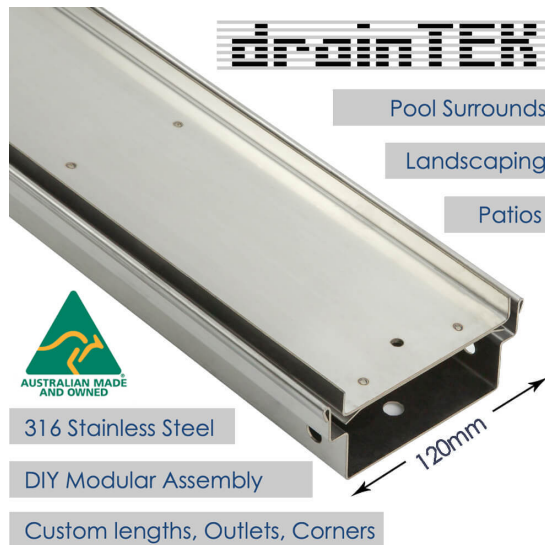


Outdoor Landscape Pool Drainage Channel - Tray and Grate - Tile Insert - 120mm Wide

Brand: DrainTEK • Product SKU: CSG-OUT-TI-120-1113 • RRP: \$49.95 + \$0.30 per mm



PRODUCT DESCRIPTION

This tile insert outdoor drain is perfect for architectural landscaping and pool drainage. Made from 316L (low carbon) stainless steel for premium durability. Made in Australia to your specifications - any length and any outlet position(s).

The quoted price is made up of:

- The base manufacturing charge of **\$49.95**.
- A charge of **\$0.30** for each mm of length (Enter length in mm in QTY box where prompted below).

FEATURES

- MARINE GRADE - Suits coastal regions and salt pools as this is full marine-grade 316L (low carbon) stainless steel with premium corrosion resistance
- CUSTOM-MADE in Australia to your specifications, any length and any outlet position
- SEAMLESS - Separate lengths are butted against each other for a seamless look
- MODERN ARCHITECTURAL LOOK - Sleek tile insert grates leave small gaps for drainage
- LIFETIME WARRANTY against manufacturing defects for peace of mind and quality assurance

Information and prices shown in this document may change without prior notice. Please refer to our website for the most accurate, up-to-date information about this product.



Money Back Guarantee*



Enjoy Free Freight Protection



Earn Reno Dollars as a MEMBER



RenovatorStore.com.au

49-51 Mills Road
3195 Braeside, Australia
☎ (03) 9544 3003

✉ service@renovatorstore.com.au

ADDITIONAL INFORMATION

Premium Specifications

- **Composition:** Full 316L (low carbon) marine grade stainless steel
- **Tray:** 1.2mm thick steel, 120mm wide, 51 mm deep
- **Tile insert:** 13mm deep tile tray to accommodate most floor tiles, support feet along entire length for heavy duty load support, no plastic components
- **Joiner plate and end cap:** Full 316L (low carbon) stainless steel
- **Fixing bolts:** Full 316L (low carbon) stainless steel
- **Optional outlet(s):** 50mm diameter to suit 50mm diameter (or greater) drainage plumbing
- **Warranty:** Lifetime warranty against manufacturing defects
- **Manufactured in Australia**

Information and prices shown in this document may change without prior notice. Please refer to our website for the most accurate, up-to-date information about this product.



Money Back Guarantee*



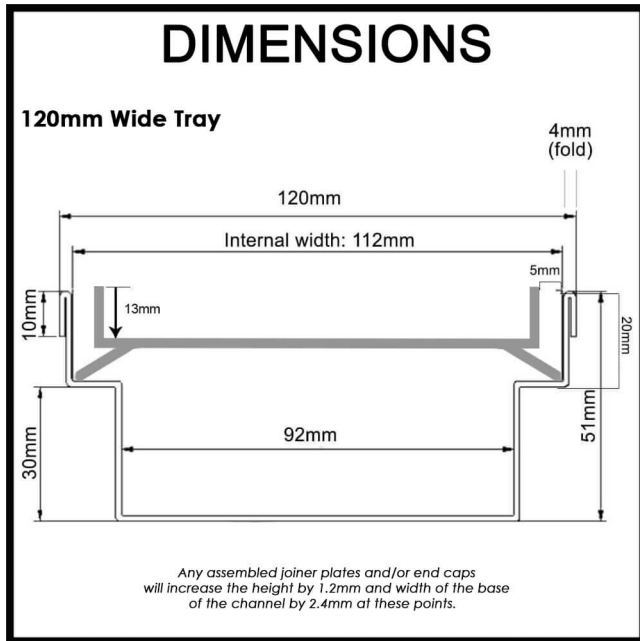
Enjoy Free Freight Protection



Earn Reno Dollars as a MEMBER

ADDITIONAL INFORMATION

Dimensions



Information and prices shown in this document may change without prior notice. Please refer to our website for the most accurate, up-to-date information about this product.



Money Back Guarantee*



Enjoy Free Freight Protection



Earn Reno Dollars as a MEMBER