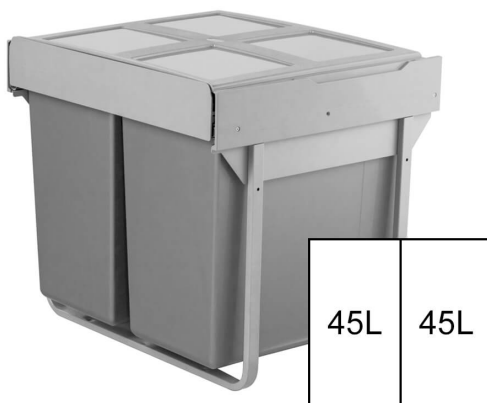


Domestique 90L Twin Slide Out Concealed Waste Bin - for a 600mm Cabinet - Bottom Mounted

Brand: ELITE • Product SKU: ELITEPOB-600-2-0861 • RRP: \$289.95 • Sale Price: \$260.95

ELITE
STORAGE SOLUTIONS



PRODUCT DESCRIPTION

This Twin 90L Slide Out Concealed Bin unit comprises two 45-litre bins for optimal waste separation. It fits in a standard 600mm wide cabinet and simply mounts to the base. Features dark grey bins with an odour eliminating lid, high-quality ball bearing runners, and soft-close mechanism.

FEATURES

- **CONVENIENT** - Easily separate your garbage from recyclables or organics; removable bins also make it a breeze to empty and clean
- **HIGHLY STABLE** - Ball bearing runners and stable frame made from durable stainless steel can hold up to 45kg when fully extended
- **SANITARY** - Engineer designed lid prevents odours
- **EASY INSTALLATION** - Bottom mounted to ensure the most stable connections and strongest support to the cabinet
- **QUALITY** - Backed by Elite's 5-year warranty so you can purchase with peace of mind

Information and prices shown in this document may change without prior notice. Please refer to our website for the most accurate, up-to-date information about this product.



Money Back Guarantee*



Enjoy Free Freight Protection



Earn Reno Dollars as a MEMBER



RenovatorStore.com.au

49-51 Mills Road
3195 Braeside, Australia
☎ (03) 9544 3003

✉ service@renovatorstore.com.au

ADDITIONAL INFORMATION

Specifications

- **Height:** 537mm
- **Depth:** 502mm
- **Width:** 565mm
- **Bin Colour:** Dark grey (RAL 7012)
- **Capacity:** 90 litres
- **Max. Loading Capacity:** 45kg
- **Compartments:** 2x45-litre compartments
- **Cupboard Size:** Fits cupboard with standard 600mm external width, and minimum internal dimensions of 565mm (W), 502mm (D)
- **Installation:** Bottom/base mount
- **Warranty:** 5 years

Information and prices shown in this document may change without prior notice. Please refer to our website for the most accurate, up-to-date information about this product.



Money Back Guarantee*



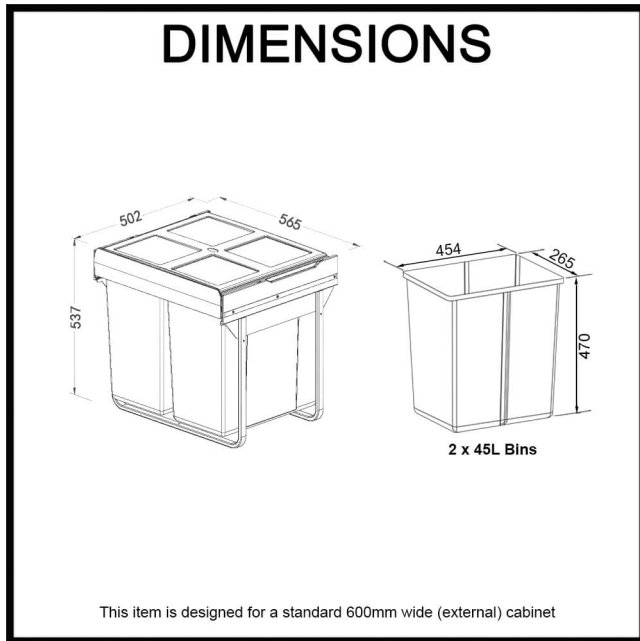
Enjoy Free Freight Protection



Earn Reno Dollars as a MEMBER

ADDITIONAL INFORMATION

Dimensions



Information and prices shown in this document may change without prior notice. Please refer to our website for the most accurate, up-to-date information about this product.



Money Back Guarantee*



Enjoy Free Freight Protection



Earn Reno Dollars as a MEMBER