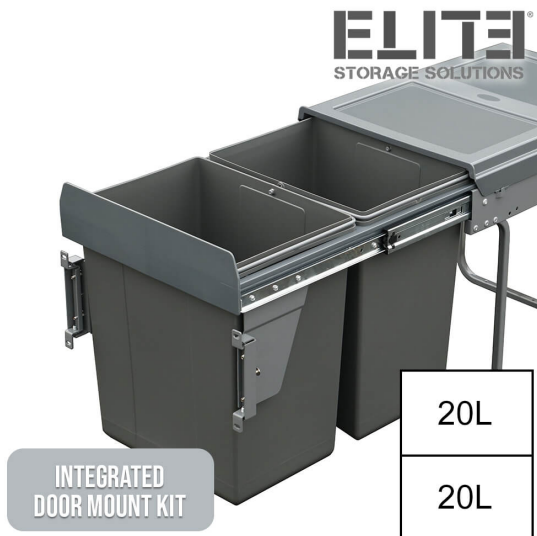


## Domestique 40L Twin Slide Out Concealed Waste Bin - for a 400mm Cabinet - Bottom Mounted - Includes Integrated Door Bracket

Brand: ELITE • Product SKU: ELITEPOB-400-2-0217-D • RRP: \$199.95 • Sale Price: \$179.95



### PRODUCT DESCRIPTION

This twin 40L bin unit comprises two 20Litre bins for optimal waste separation. It fits in a standard 400mm wide cabinet and mounts to the base, with an integrated door mount bracket to affix to your cabinet door. Features dark grey bins with an odour-eliminating lid, top quality ball bearing runners, and the vital soft-close mechanism.

### FEATURES

- SPACIOUS - Twin dark grey bin unit comes in two 20L compartments
- PRACTICAL - Easily separate your garbage from recyclables or organics; removable bins also make it a breeze to empty and clean
- STURDY - Soft closing ball bearing runners and stable frame made from durable stainless steel can hold up to 25kg when fully extended
- SANITARY - Engineer designed lid prevents odours
- EASY INSTALLATION - Just mount to the bottom of your cabinet and attach to your cupboard door for a fully integrated kitchen solution

Information and prices shown in this document may change without prior notice. Please refer to our website for the most accurate, up-to-date information about this product.



Money Back Guarantee\*



Enjoy Free Freight Protection



Earn Reno Dollars as a MEMBER

## ADDITIONAL INFORMATION

### Specifications

- **Height:** 415mm
- **Depth:** 480mm
- **Width:** 345mm
- **Bin Colour:** Dark grey (RAL 7012)
- **Capacity:** 40 litres
- **Max. Loading Capacity:** 25kg including door
- **Compartments:** 2x20-litre compartments
- **Cupboard Size:** Fits cupboard with standard 400mm external width, and minimum internal dimensions of 364mm (W), 500mm (D)
- **Installation:** Bottom/base mount, Door mount to attach to cabinet door for pull-out (included in the box)

*Information and prices shown in this document may change without prior notice. Please refer to our website for the most accurate, up-to-date information about this product.*



Money Back Guarantee\*



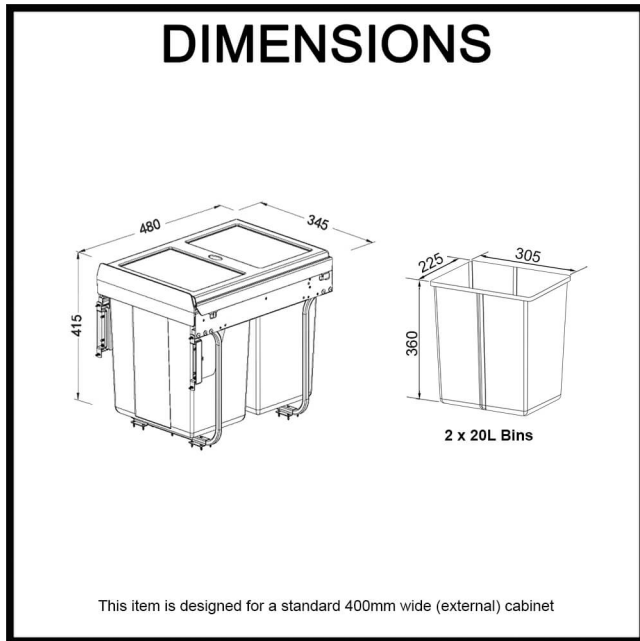
Enjoy Free Freight Protection



Earn Reno Dollars as a MEMBER

## ADDITIONAL INFORMATION

### Dimensions



Information and prices shown in this document may change without prior notice. Please refer to our website for the most accurate, up-to-date information about this product.



Money Back Guarantee\*



Enjoy Free Freight Protection



Earn Reno Dollars as a MEMBER