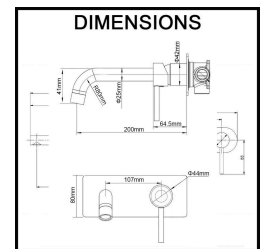


LUCID PIN Chrome Wall Mixer With Round Spout

Brand: AQUAPERLA • Product SKU: AQP-CH01442BM-4214 • RRP: \$259.00



AQUAPERLA

PRODUCT DESCRIPTION

Experience the perfect fusion of style and functionality with the Lucid Pin wall mixer, adding a touch of luxury and comfort to your bathroom. This Aquaperla wall-mount mixer combines convenience with elegance, featuring a pin handle and elongated spout for effortless water flow adjustments. The innovative yet timeless design of the Lucid Pin series complements any bathroom decor.

FEATURES

- DURABLE - Solid brass is highly durable and resistant to corrosion
- MODERN DESIGN - Round shape tapware adds a touch of classic sophistication to any bathroom decor
- EASY INSTALLATION - Includes all required hoses, mounting plates, and screws with step-by-step manual
- LOW MAINTENANCE - Easy to clean and maintain, just rinse it with soap and water
- PEACE OF MIND - Aquaperla's 15-year replacement warranty is the indication of its excellence in product quality (conditions apply)

Information and prices shown in this document may change without prior notice. Please refer to our website for the most accurate, up-to-date information about this product.



Money Back Guarantee*



Enjoy Free Freight Protection



Earn Reno Dollars as a MEMBER

ADDITIONAL INFORMATION

Specifications

- **Height:** 80mm
- **Width:** 200mm
- **Spout Diameter:** 25mm
- **Composition:** Solid Brass
- **Finish:** Chrome
- **Suitable Hot Water Units:**
 - Storage Tank: Yes
 - Continuous Flow: Yes
 - Gravity Feed: Not recommended
- **Maximum operating pressure:** 1000kPa (best used at 300-800kPa)
- **Temperature rating:** 80 degrees C maximum, 5 degrees C minimum

*Package contents: 1*bath shower mixer*

Fully Compliant with Australian/NZ Standards

- **Watermark Approved:** certified under AS/NZS 3718
- **WELS Rated:** 5 star, 6.5 litres per minute flow restrictor installed in accordance with AS/NZS 6400
- **WELS Registration:** T41204

Information and prices shown in this document may change without prior notice. Please refer to our website for the most accurate, up-to-date information about this product.



Money Back Guarantee*



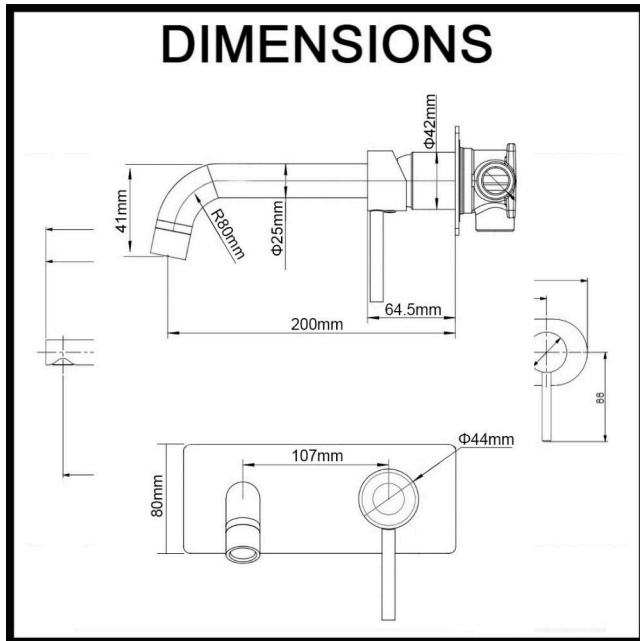
Enjoy Free Freight Protection



Earn Reno Dollars as a MEMBER

ADDITIONAL INFORMATION

Dimensions



Information and prices shown in this document may change without prior notice. Please refer to our website for the most accurate, up-to-date information about this product.



Money Back Guarantee*



Enjoy Free Freight Protection



Earn Reno Dollars as a MEMBER