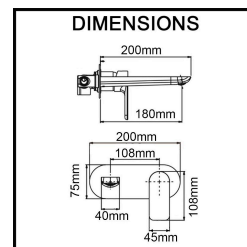


## VOG Solid Brass Chrome Shower/Bath Wall Mixer with Spout

Brand: AQUAPERLA • Product SKU: AQP-CH01582BM-4197 • RRP: \$279.00



AQUAPERLA



### PRODUCT DESCRIPTION

Experience the perfect fusion of style and functionality with the VOG bath/basin mixer, adding a touch of luxury and comfort to your bathroom. This Aquaperla wall mixer combines convenience with elegance, featuring a paddle handle and elongated spout for effortless water flow adjustments. The innovative yet timeless design of the VOG range complements any bathroom decor.

### FEATURES

- **DURABLE** - Solid brass is highly durable and resistant to corrosion
- **MODERN DESIGN** - Square shape tapware adds a touch of classic sophistication to any bathroom decor
- **EASY INSTALLATION** - Includes all required hoses, mounting plates, and screws with step-by-step manual
- **LOW MAINTENANCE** - Easy to clean and maintain, just rinse it with soap and water
- **PEACE OF MIND** - Aquaperla's 15-year replacement warranty is the indication of its excellence in product quality (conditions apply)

*Information and prices shown in this document may change without prior notice. Please refer to our website for the most accurate, up-to-date information about this product.*



Money Back Guarantee\*



Enjoy Free Freight Protection



Earn Reno Dollars as a MEMBER

## ADDITIONAL INFORMATION

### Specifications

- **Height:** 75mm
- **Depth:** 200mm
- **Composition:** Solid Brass
- **Finish:** Chrome
- **Ceramic Disc Cartridge:** Drip free
- **Suitable Hot Water Units:**
  - Storage Tank: Yes
  - Continuous Flow: Yes
  - Gravity Feed: Not recommended
- **Maximum operating pressure:** 1000kPa (best used at 300-800kPa)
- **Temperature rating:** 80 degrees C maximum, 5 degrees C minimum

*Package contents: 1\*wall mixer with spout, installation accessories*

### Fully Compliant with Australian/NZ Standards

- **Watermark Approved:** certified under AS/NZS 3718
- **WELS Rated:** 5 star, 5 litres per minute flow restrictor installed in accordance with AS/NZS 6400
- **WELS Registration:** T37890

*Information and prices shown in this document may change without prior notice. Please refer to our website for the most accurate, up-to-date information about this product.*



Money Back Guarantee\*



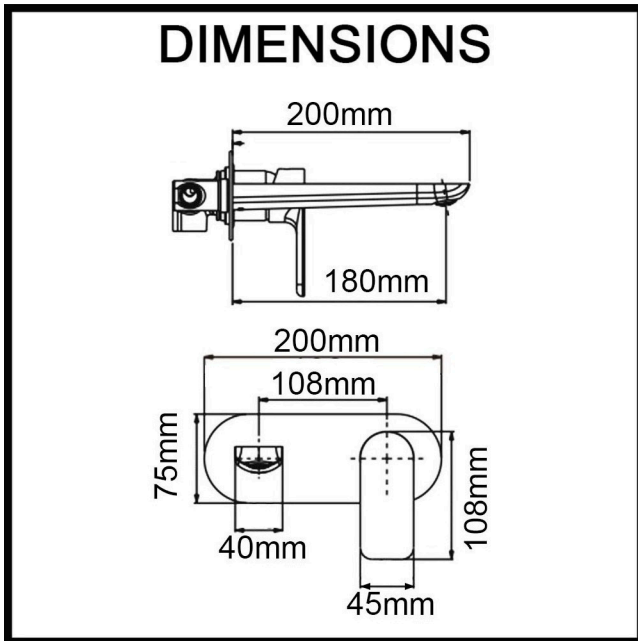
Enjoy Free Freight Protection



Earn Reno Dollars as a MEMBER

## ADDITIONAL INFORMATION

### Dimensions



*Information and prices shown in this document may change without prior notice. Please refer to our website for the most accurate, up-to-date information about this product.*



Money Back Guarantee\*



Enjoy Free Freight Protection



Earn Reno Dollars as a MEMBER