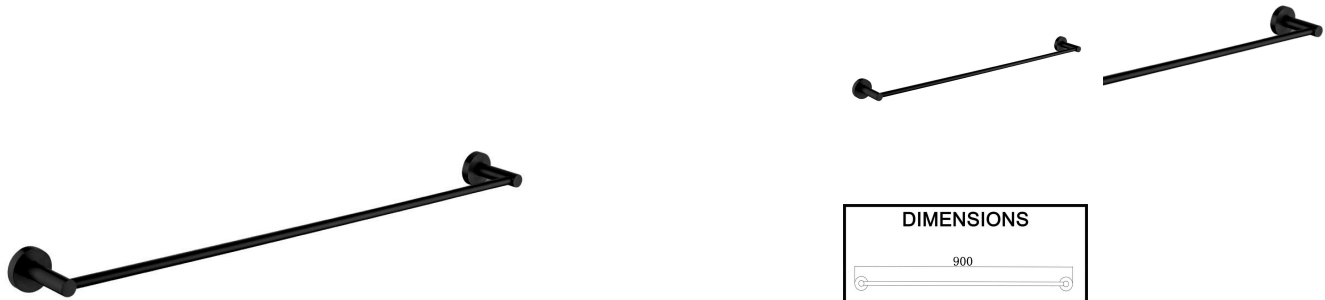
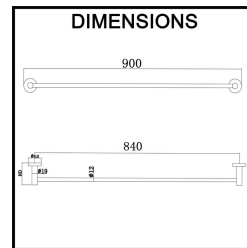


## Pentro Round Single Towel Rail - 900 mm - Matte Black

Brand: NORICO • Product SKU: AQP-AR9102-3315 • RRP: \$56.95



NORICO



### PRODUCT DESCRIPTION

This Norico Pentro towel hanger features a robust 304 stainless steel construction, ensuring durability to withstand daily wear and tear. The fusion of style and functionality makes this towel rail a must-have bathroom essential for every home, promising long-lasting quality and aesthetic appeal.

### FEATURES

- CONTEMPORARY - Simple and smooth design plus rounded corners and edges complementing most modern homes
- SOLID BUILD - Advanced rust proofing, aesthetic and well-designed for daily use with installation fittings that conform to the Australian Standard
- MATCHING FIXTURES - Shop from the Norico Esperia bathroom range, with soft lines and classic designs to create a matching bathroom interior
- DURABLE - Constructed from 304 stainless steel which makes it less likely to bend or distort
- PEACE OF MIND - Backed by 15 year warranty + 1 year labour warranty (see terms and conditions)

Information and prices shown in this document may change without prior notice. Please refer to our website for the most accurate, up-to-date information about this product.



Money Back Guarantee\*



Enjoy Free Freight Protection



Earn Reno Dollars as a MEMBER



**RenovatorStore.com.au**

49-51 Mills Road  
3195 Braeside, Australia  
☎ (03) 9544 3003

✉ [service@renovatorstore.com.au](mailto:service@renovatorstore.com.au)

## ADDITIONAL INFORMATION

### Specifications:

- **Height:** 80mm
- **Length:** 900mm
- **Width:** 60mm
- **Composition:** 304 Stainless Steel
- **Finish:** Chrome
- **Warranty: 15 years.** Terms and conditions apply - see supplier's website for returns and warranties policy.

**Important Note:** Avoid using harsh abrasives, scouring powders, bleach and other chlorine products when cleaning the item

Package Contents: **1\*Towel Holder with installation fittings**

Information and prices shown in this document may change without prior notice. Please refer to our website for the most accurate, up-to-date information about this product.



Money Back Guarantee\*



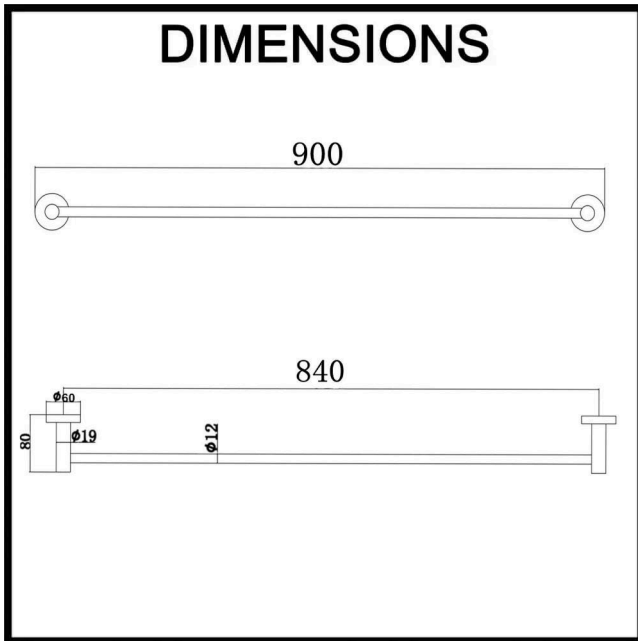
Enjoy Free Freight Protection



Earn Reno Dollars as a MEMBER

## ADDITIONAL INFORMATION

### Dimensions



Information and prices shown in this document may change without prior notice. Please refer to our website for the most accurate, up-to-date information about this product.



Money Back Guarantee\*



Enjoy Free Freight Protection



Earn Reno Dollars as a MEMBER