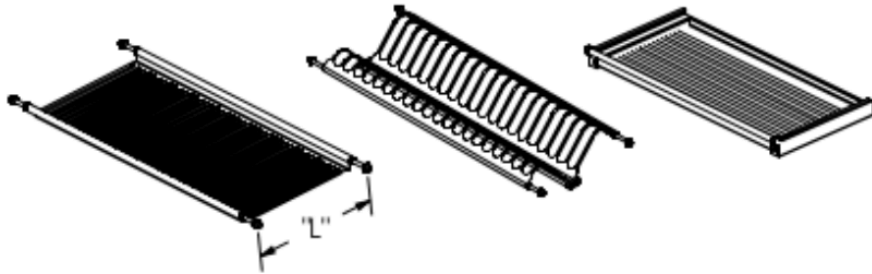


## 1. LISTING OF PARTS



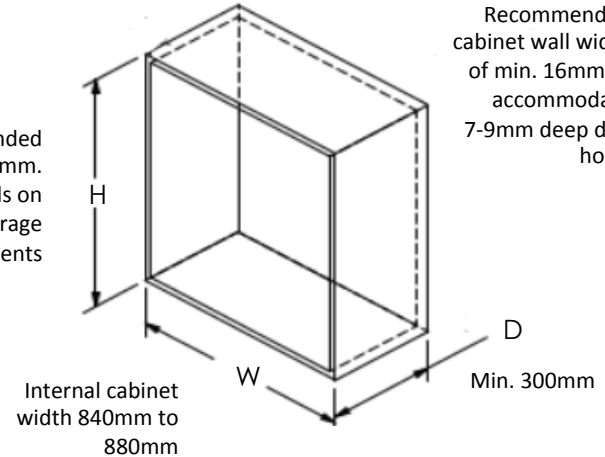
1 X Lower Shelf

1 X Upper Shelf

1 X Lower Drip-Tray

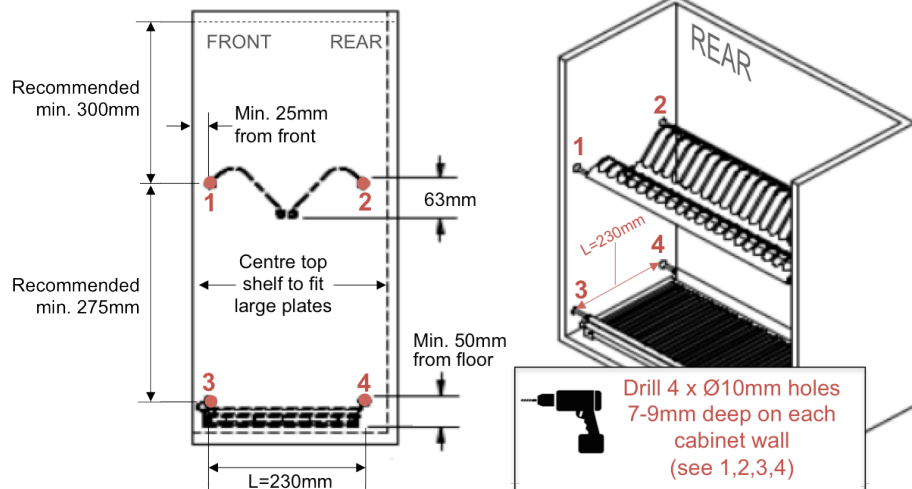
## 2. CUPBOARD DIMENSIONS

Recommended  
min. 575mm.  
Depends on  
your storage  
requirements



Recommended  
cabinet wall width  
of min. 16mm to  
accommodate  
7-9mm deep drill  
holes

## 3. INSTALLATION



## 4. IMPORTANT

- ❑ Consider size of plates and dishes you wish to store to determine height position of top shelf
- ❑ Support mounts are spring loaded to ensure the shelf supports push into the installation holes
- ❑ 20kg maximum load capacity for each shelf (subject to maximum load capacity of cupboard)
- ❑ Cupboard ventilation is recommended for installations that intend to store wet items
- ❑ Clean with soap and damp cloth – avoid detergents, solvents, and abrasive cleaners