

HG-706034-2113 (for 900mm)

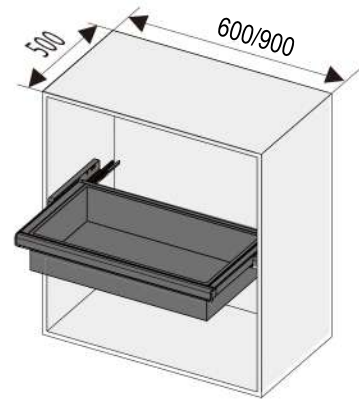
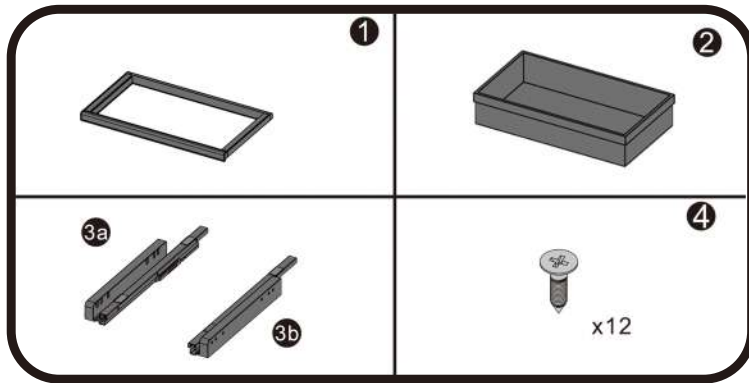
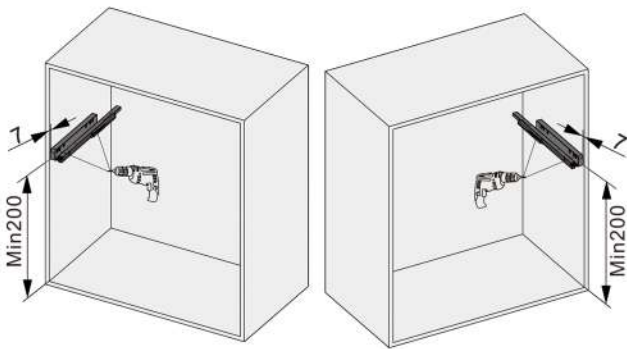


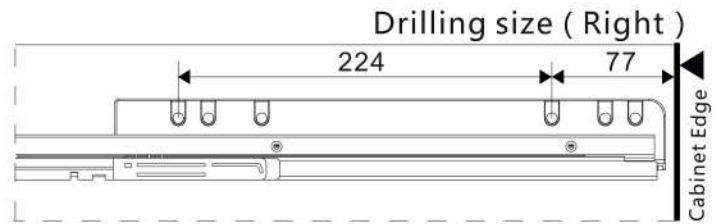
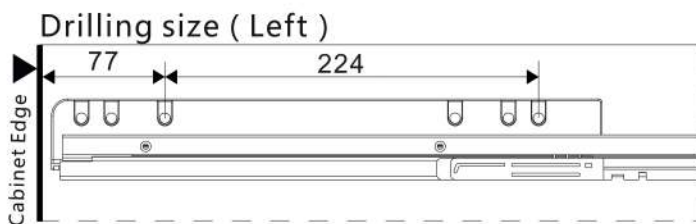
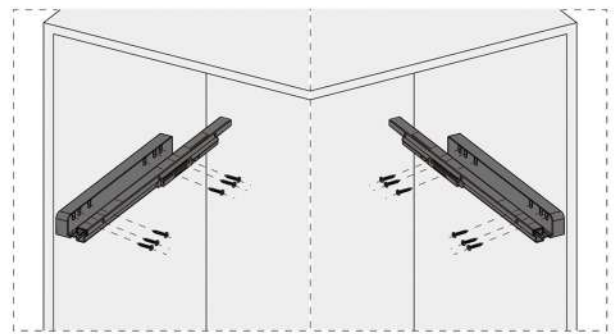
Illustration for Drilling

- 1 Drill 12 holes with \varnothing of 2.5mm each side.



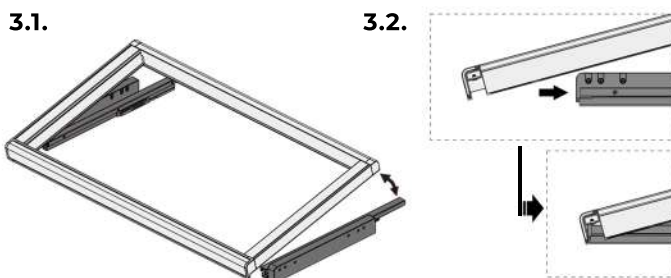
Slider Installation

- 2 Affix the left and right sliders using 12pcs of screws.



Frame Assembly

- 3 Hold the frame at the illustrated angle (3.1) and push to the sliders (3.2).



Tray Assembly

- 4 Place the storage tray inside the frame.

