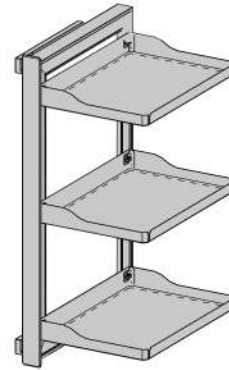
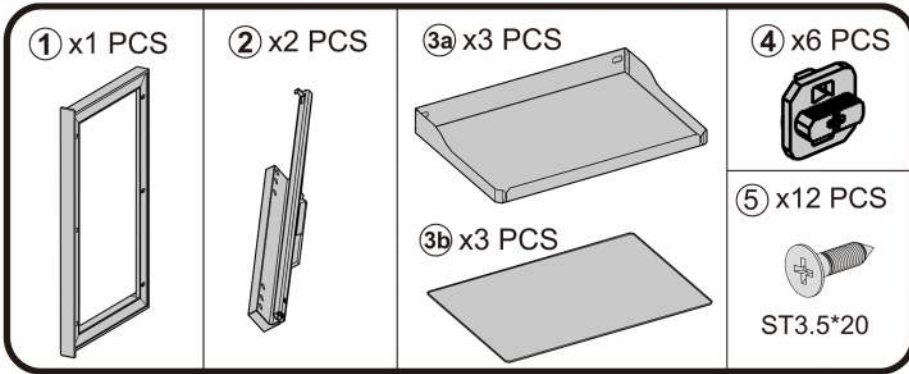


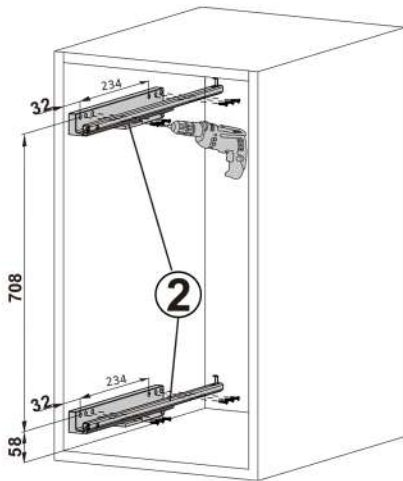
HG-703573-2115, HG-703574-2116
HG-703573S-2370, HG-703574S-2371
HG-703571S-2359, HG-703572S-2360



This manual shows left side installation. Right side is symmetrical.

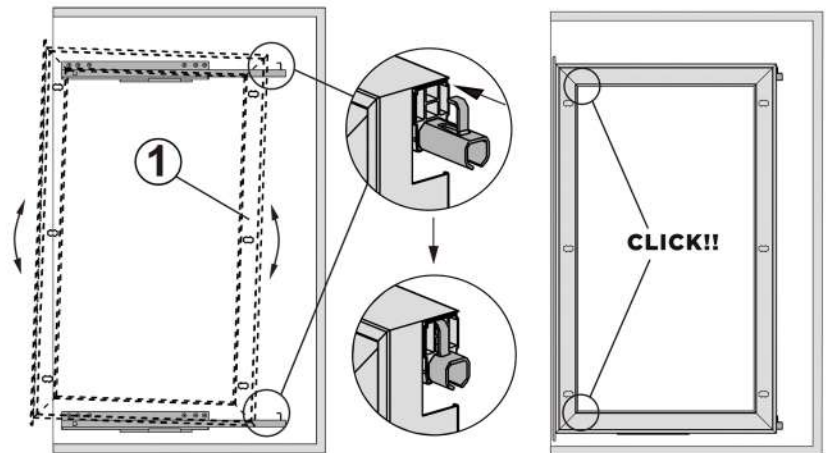
Illustration for Drilling

- 1 Drill holes and install the slide rails using 12pcs of ST 3.5*20 screws.



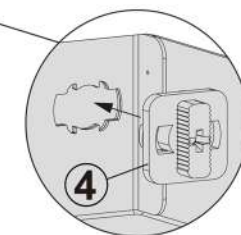
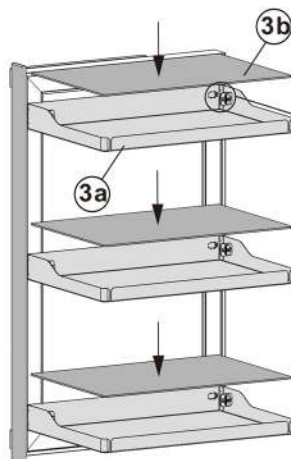
Frame Assembly

- 2 Tilt the frame. Ensure that the back of the frame clicks with the slider hooks, then press downward.

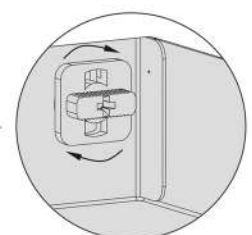


Tray Assembly

- 3 Place the trays and tray pads.



3.1. Place and align each tray to the frame



3.2. Secure the tray by rotating the locking bracket clockwise