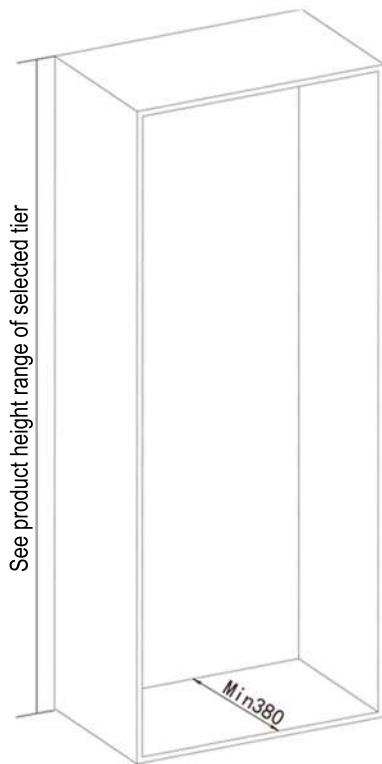


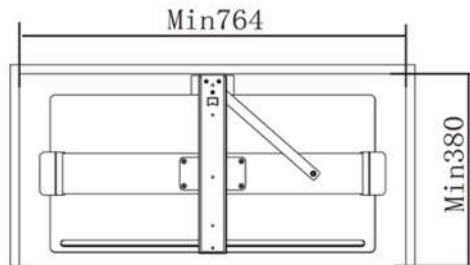
This installation manual is for the following tier models.

Shoe Rack	ART. NO.	Cabinet	Product dimension
12 layers	703591 703691	800-900	685x355x(1910-2110)
10 layers*	703592 703692	800-900	685x355x(1630-1830)
8 layers*	703593 703693	800-900	685x355x(1350-1550)
6 layers*	703594 703694	800-900	685x355x(1070-1270)
4 layers*	703595 703695	800-900	685x355x(790-990)

*currently not available



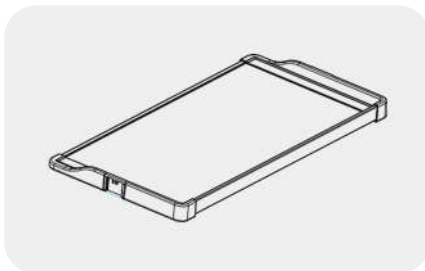
Required cabinet dimensions



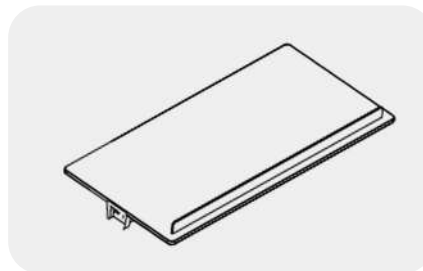
FEATURES

- Two styles of tray design
- 180-degree omnidirectional turn
- For standard and non-standard cabinet widths
- Adjustable frame height
- Removable trays

TRAY SHELF STYLES



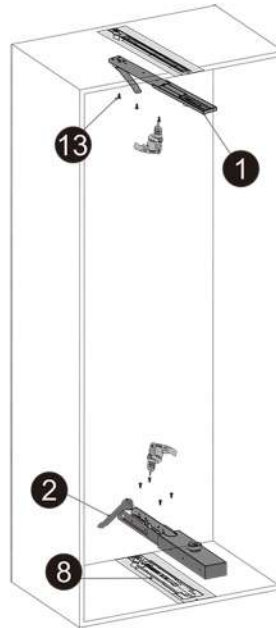
A Series Classic Style
HG-703691S-CFG
MDF base, plastic supports



B Series Premium Style
HG-703591-CFG, HG-703591S-CFG
MDF base with leather, metal supports

Illustration for Drilling

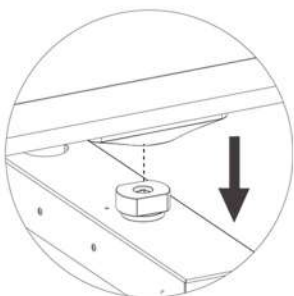
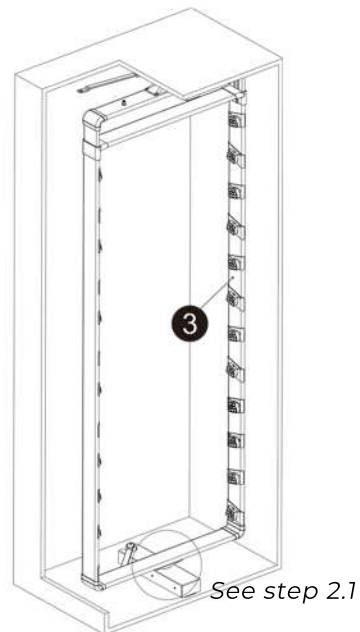
- 1 Drill holes with the drilling template and install the slide rails using 7pcs of ST 3.5*16 screws.



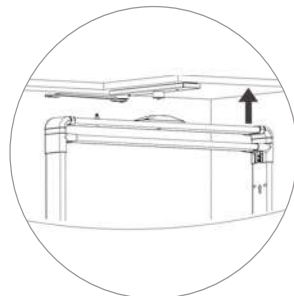
Frame Assembly

- 2 Place the frame inside the cabinet and attach to the slide rails. See steps below.

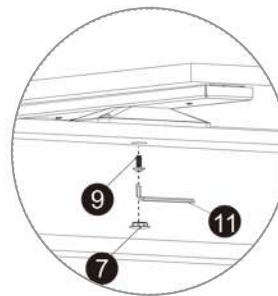
NOTE: You can choose to extend the height by pulling the upper part of the frame.



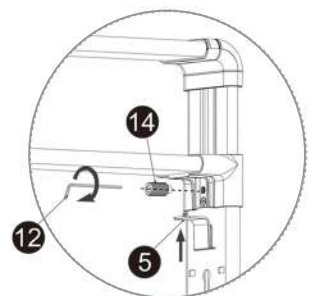
2.1. Attach the frame to the revolving base



2.2. Adjust the height of the frame



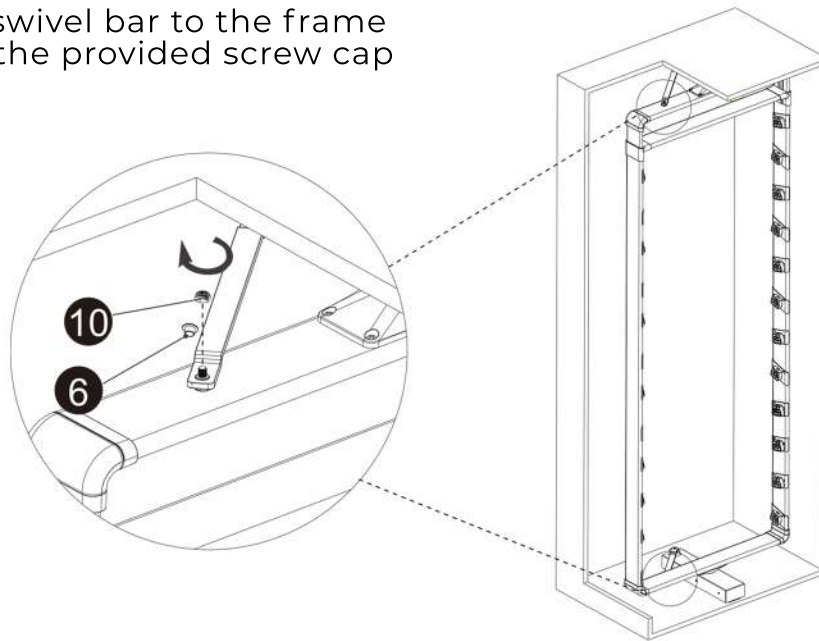
2.3. Fasten the screws and screw cap to the rail



2.4. Fasten the screws and screw cap to the frame

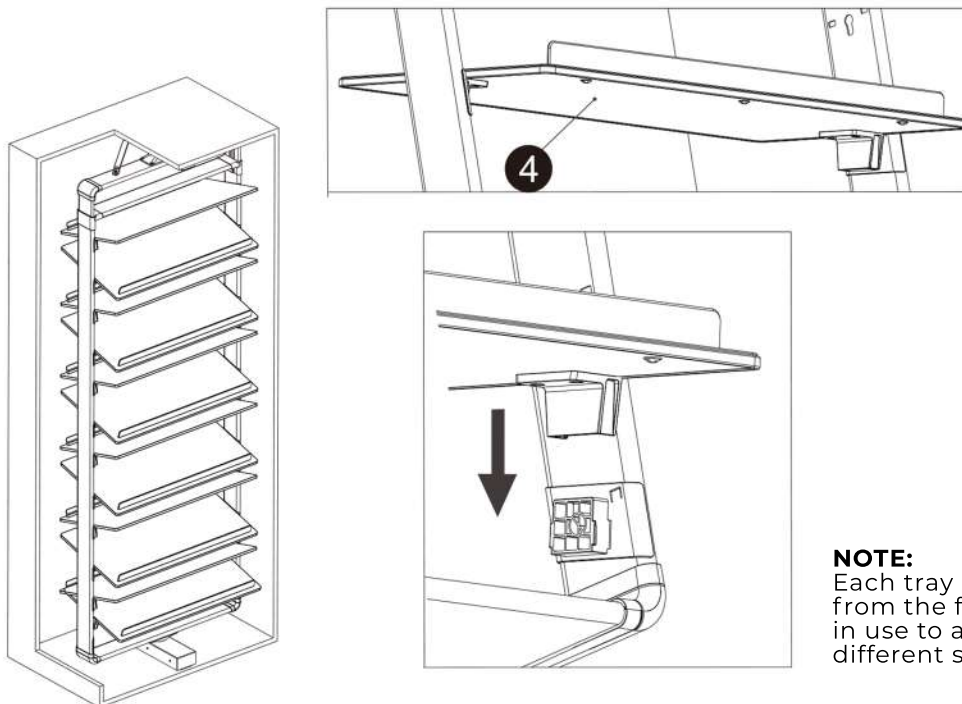
▶▶▶ Frame Assembly

- 3** Fasten the swivel bar to the frame and attach the provided screw cap



▶▶▶ Basket Assembly

- 4** Place and lock the shelves to the frame.
Installation complete.



NOTE:
Each tray can be removed from the frame when not in use to accommodate different shoe heights.