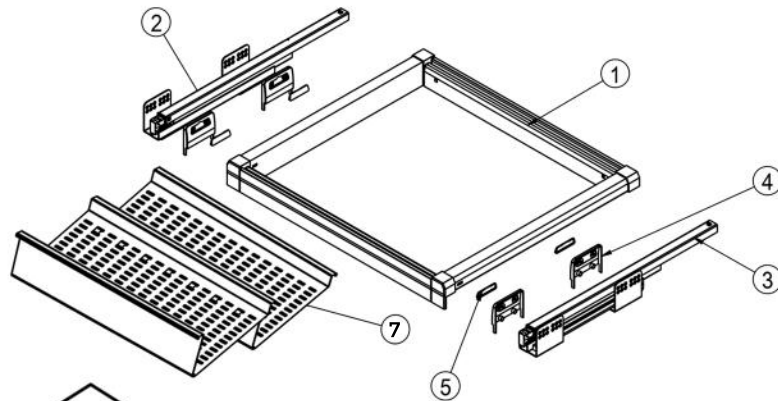
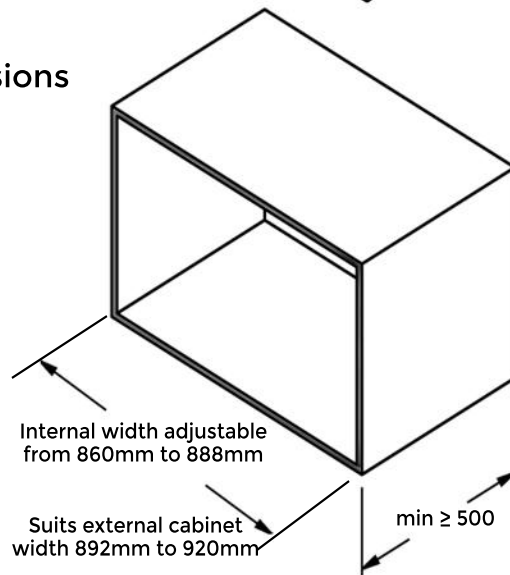


### Package Inclusions

No.	Name	Qty.
①	Frame	1
②	Left Slider	1
③	Right Slider	1
④	Cover A	4
⑤	Cover B	4
⑥	Screws	8
⑦	Shoe Rack	1

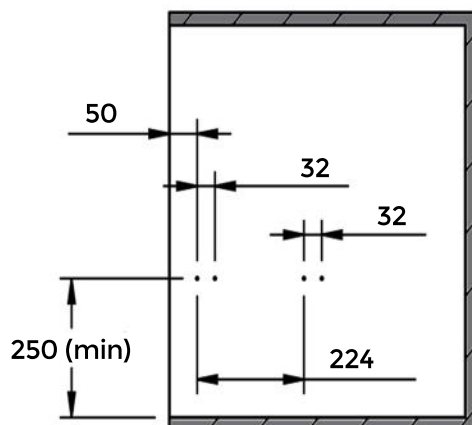


### Cabinet Dimensions



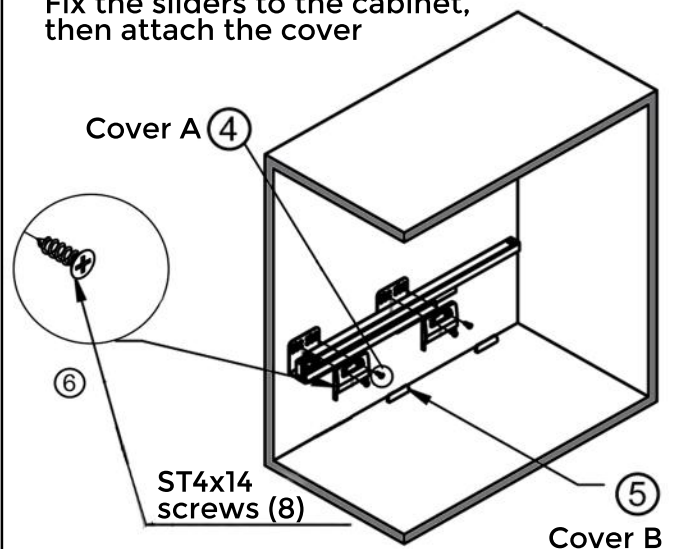
### STEP 1

Drill cabinet according to the following drawing (measurements in mm)



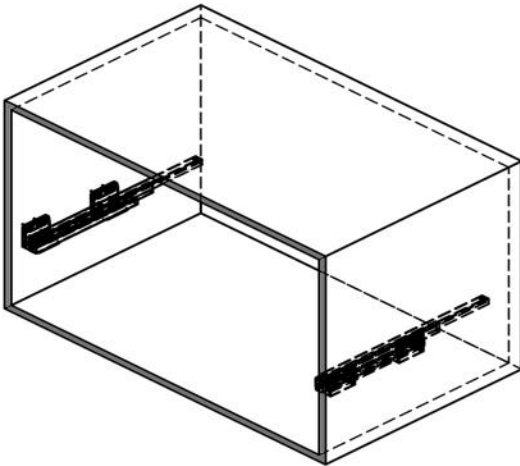
### STEP 2

Fix the sliders to the cabinet, then attach the cover



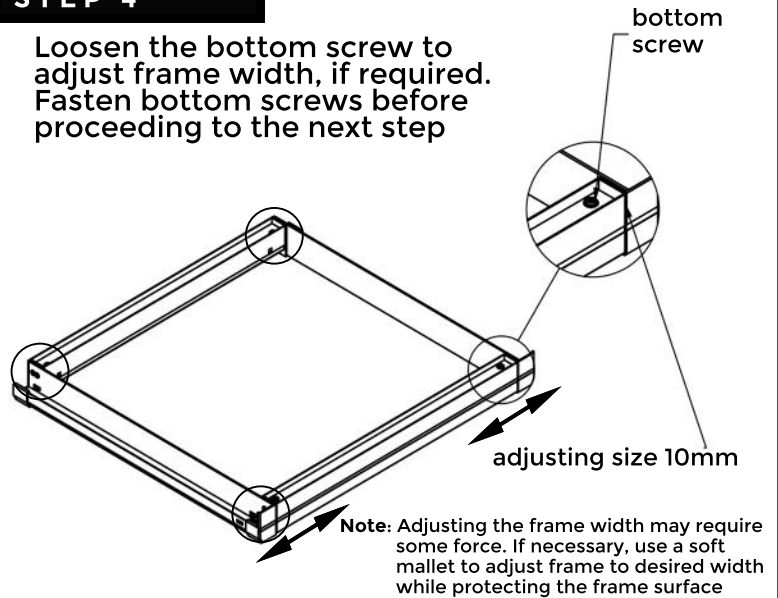
### STEP 3

Repeat Step 2 to fix the slider on the other side of the cabinet



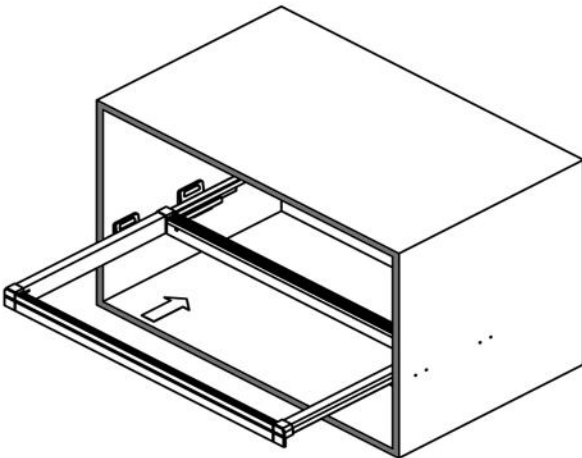
### STEP 4

Loosen the bottom screw to adjust frame width, if required. Fasten bottom screws before proceeding to the next step



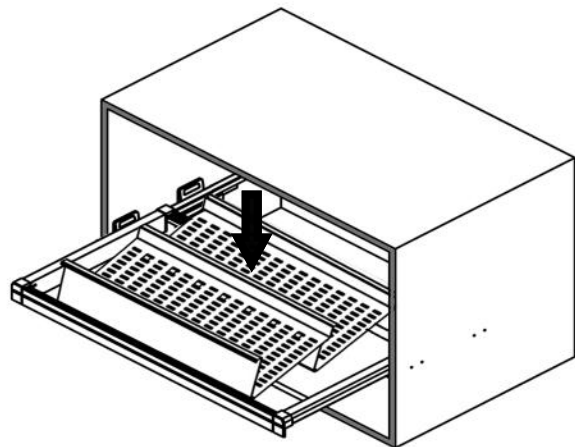
### STEP 5

Push the frame into the slider. You'll hear a click when it is correctly fixed



### STEP 6

Place the shoe rack attachment into the frame



### REMOVING THE FRAME

Directions to remove the frame from the sliders

