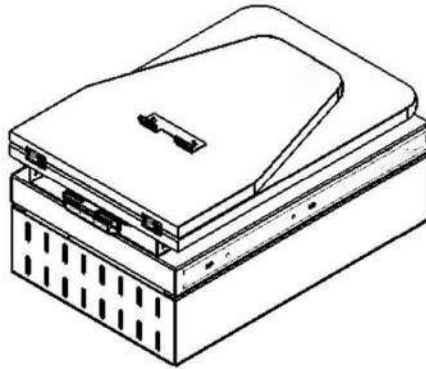


## Package inclusions

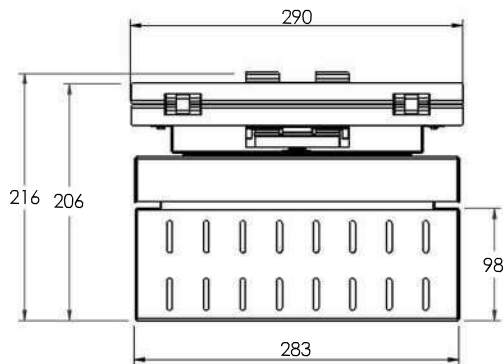


1pc rotating pull out ironing board unit

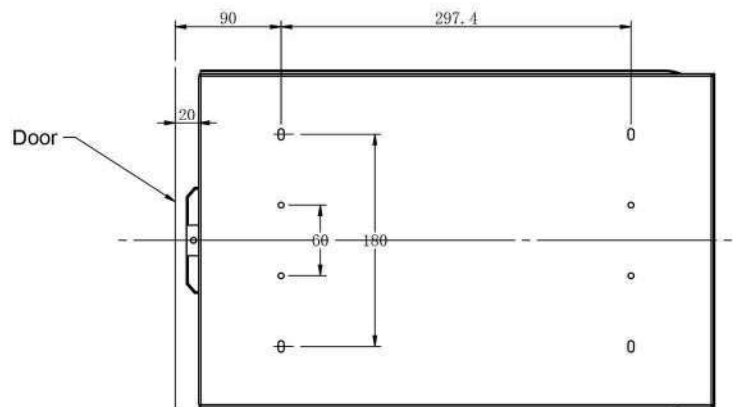


8pcs mounting screw

## Product dimensions

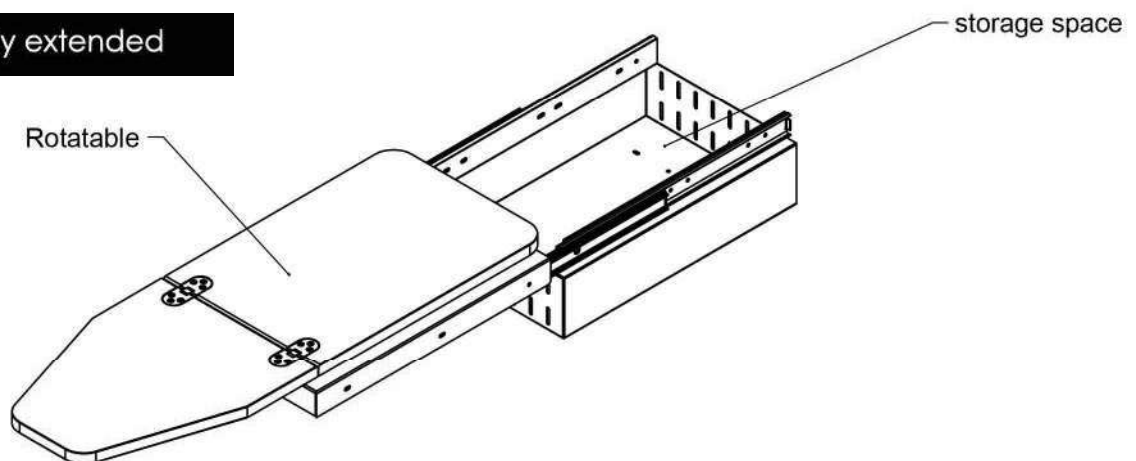


## Cabinet base mounting measurements

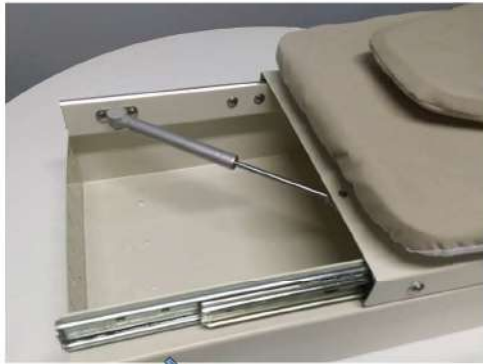


recommended external cabinet width: 400mm min

## Product when fully extended



## Instruction to adjust and extend the pull out distance



### Step 1

Pull out the iron board and expose the strut. And then lift the little cap in order to pull the strut out of the mount.



### Step 2

1. Unscrew the strut mount using a phillip screwdriver.
2. Unscrew the two screws in the middle and screw them to where the strut mount was.
3. Attach the strut mount to the middle section, tighten all the screws.



### Step 3

Pop the strut back to the mount. And put the little cap back on top of the strut. Now the Ironing Board can fully extend out of the cabinet.

