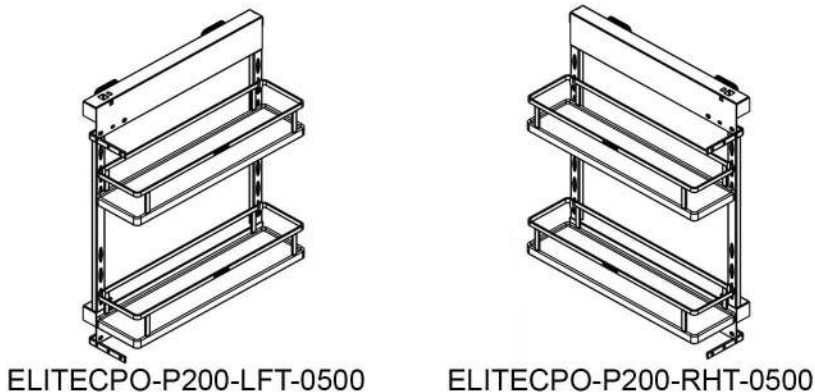
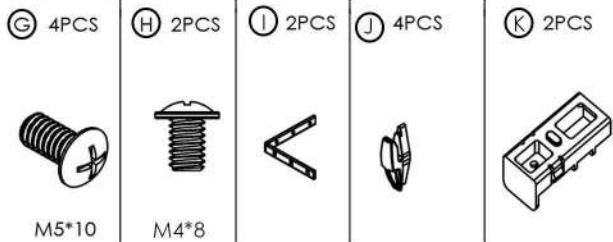
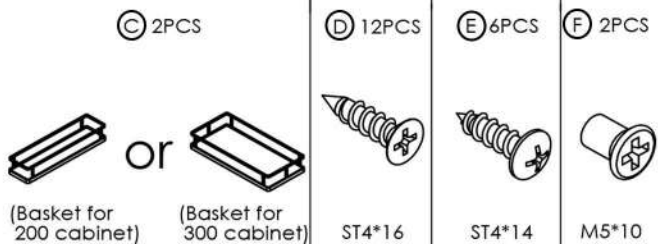
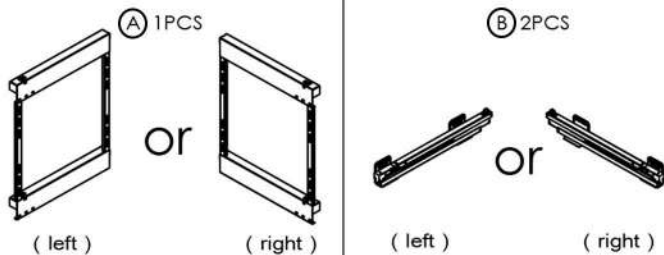


Provedore Pull-Out Under-Bench Storage - for 200mm Cabinet

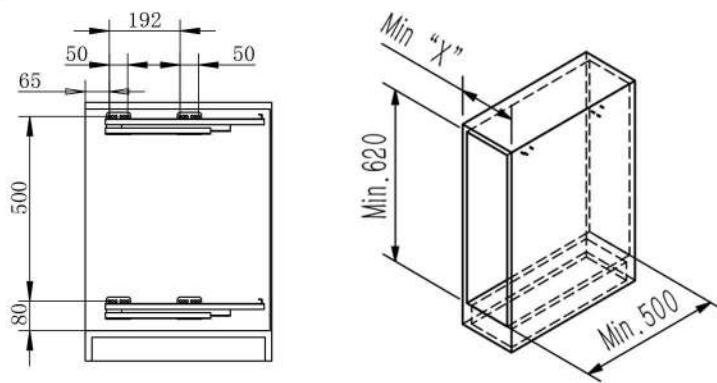
ELITECPO-P200-RHT-0500 and ELITECPO-P200-LFT-0500



Parts and accessories



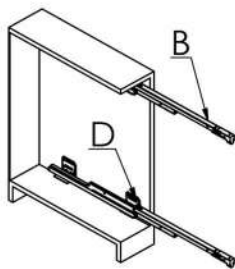
⚠ Note: This instruction is for install right side, left side is symmetrical.



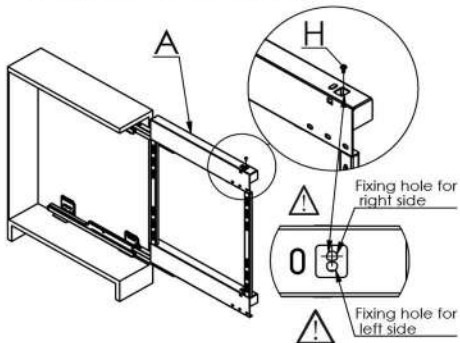
	Cabinet	Specification	Size "X"
Left	200	470*155*585	164
Right	200	470*155*585	164

Installation Procedure:

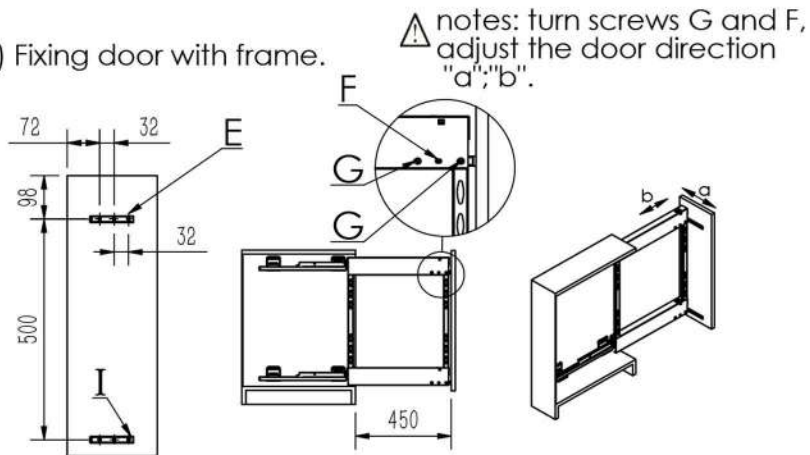
1) Fixing slider in cabinet with screws "D".



2) Fixing frame "A" with slider.



3) Fixing door with frame.



4) Hang up basket.

