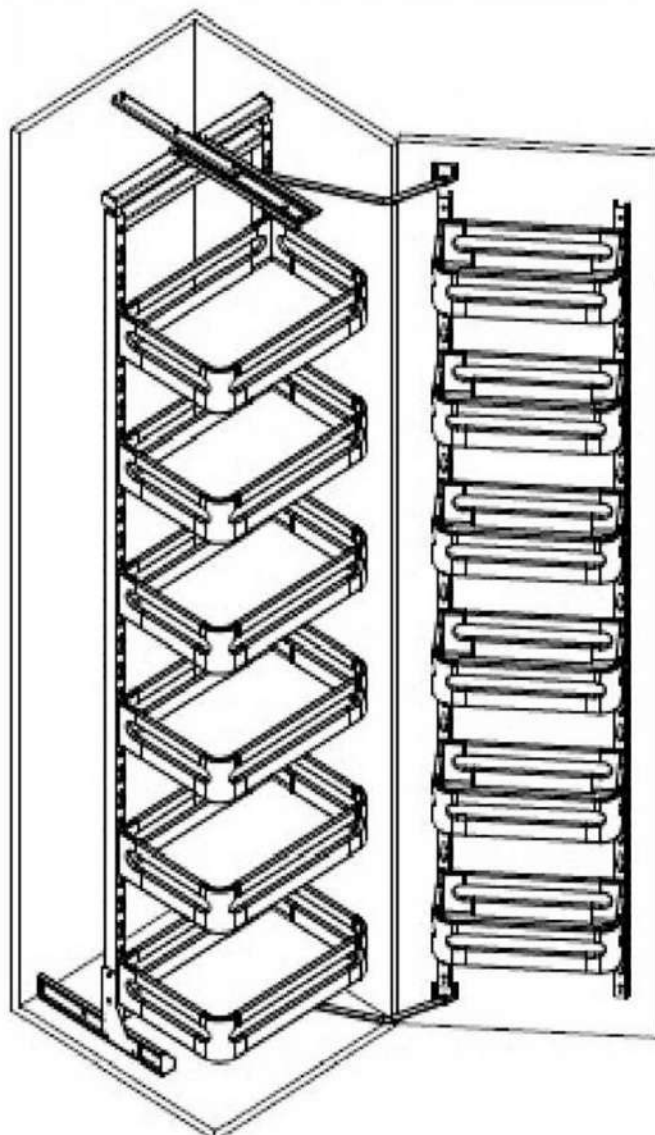


Open Out Tandem Pantry

Adjustable Height - for 450mm or 600mm
Cabinet - Internal Unit



ELITEOOP-C / ELITEOOP-B / ELITE OOP-P / ELITEOOP-L / ELITEOOP-G



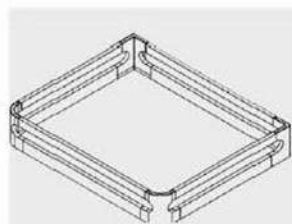
Features

- Five styles of shelf design
- Soft close heavy duty runners
- Universal fitting allows left and right swing installation
- Two widths to suit standard cabinet widths: 450mm and 600mm
- Adjustable frame heights:
LOW: 1650mm to 1950mm
HIGH: 1850mm to 2150mm
- Adjustable shelf positions
- Door position adjustments
- 50kg total payload
- Split storage - front and rear shelves - Rear shelves slide forward

Note:

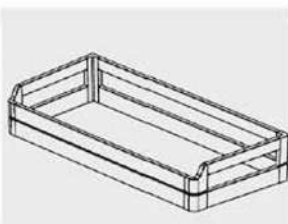
Shelf style in diagram may differ from your model

Basket Shelf Styles:



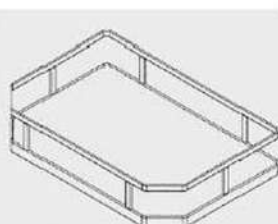
CHEF

Stainless steel construction
Flat easy clean base



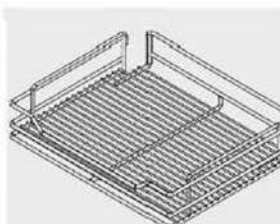
BISTRO

Low profile stainless steel
Flat easy clean base



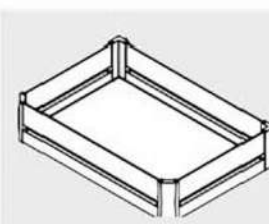
PROVEDORE

Luxury wood base and frame
Optional anti-slip mat



LARDER

Traditional wire frame
High strength and visibility



GALLEY

Safety glass sides
Luxury wood base

Open Out Tandem Pantry

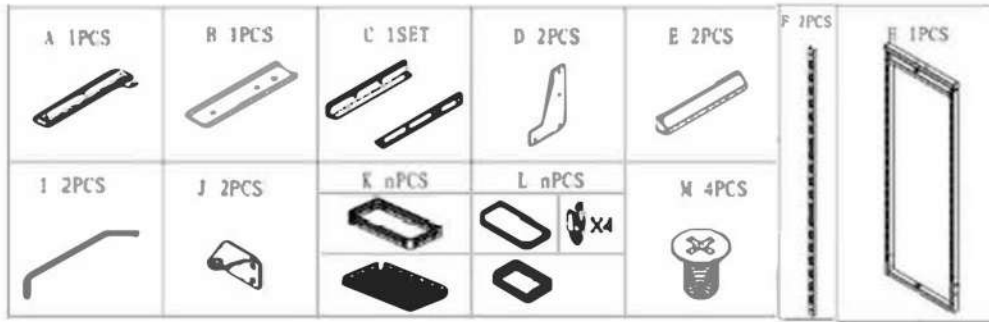
Adjustable Height - for 450mm or 600mm Cabinet - Internal Unit

ELITEOOP-C / ELITEOOP-B / ELITE OOP-P / ELITEOOP-L / ELITEOOP-G

ELITE[®]

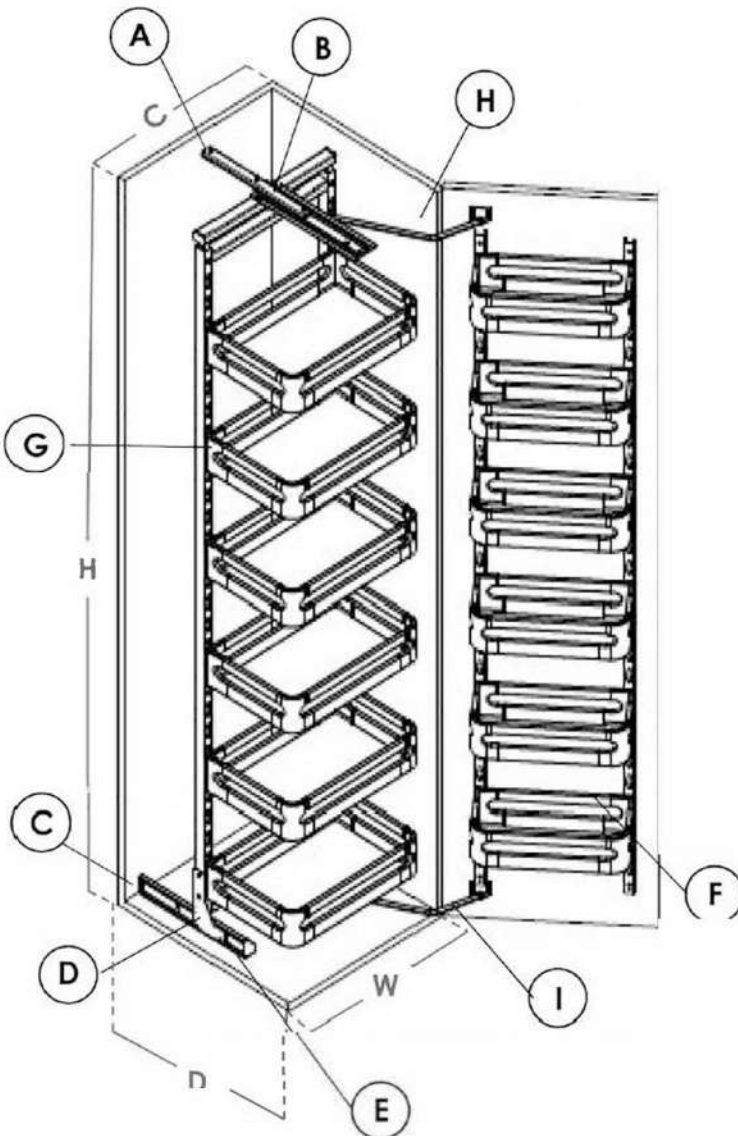
STORAGE SOLUTIONS

Listing of key parts



Listing of fixing hardware

- Q** 20 x ST4*14 Pan Head Screws
 - 8 pcs for fixing Top Runner to cabinet ceiling
 - 12 pcs for fixing bottom runner to cabinet floor
- R** 10 x ST4*14 Countersunk Head Screws
 - 10 pcs for fixing Door Basket Brackets to door
- N** 2 x M6*10 Phillips Head Bolt
 
- O** 6 x M8*20 Phillips Head Bolt
 - 4 pcs for Attaching L Frame Brackets to Cupboard Frame
 - 2 pcs for Attaching Top Connection Slider to Cupboard Frame
- S** 3 x ST4*8 Countersunk Head Screws
 - 3 pcs for attaching Hinge Arm to Connection Slider
- U** 2x M8 Dome Nut
 
- P** 4 x Spare Part
 
- T** 4 x Spare Part
 



Model Dimensions

Model	450mm	600mm
C Cabinet Width (external)	Suits 450mm standard width cupboard	Suits 600mm standard width cupboard
W Cabinet Width (internal)	Minimum of 410mm to fit unit width of 400mm	Minimum of 560mm to fit unit width of 550mm
H Cabinet Height (internal)	Adjustable frame options: Low: 1650mm to 1950mm High: 1850mm to 2150mm	
D Cabinet Depth (internal)	Minimum internal cabinet depth of 500mm	

Open Out Tandem Pantry

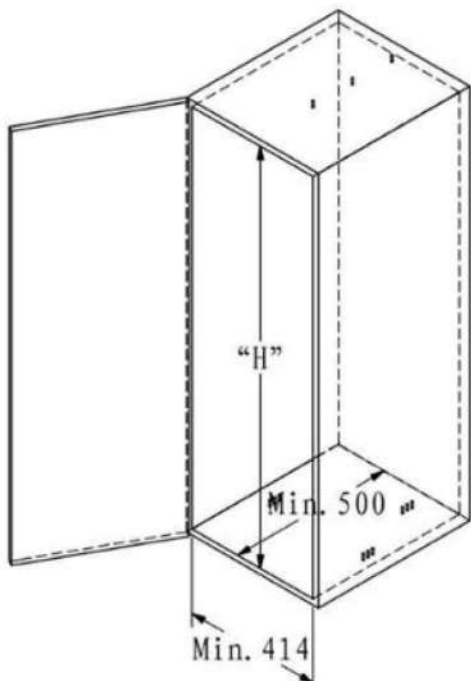
Adjustable Height - for 450mm or 600mm

Cabinet - Internal Unit

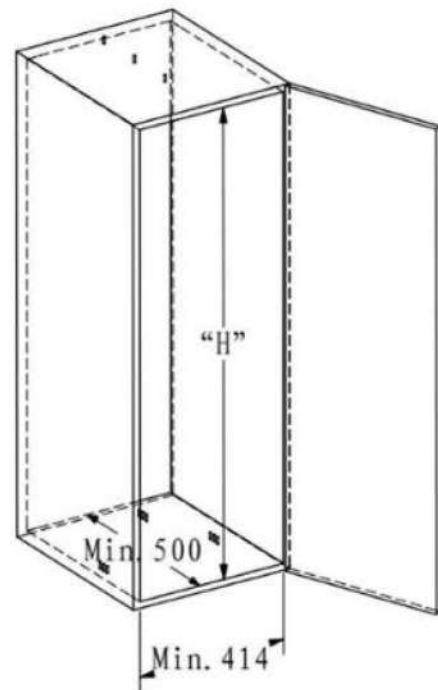
ELITEOOP-C / ELITEOOP-B / ELITE OOP-P / ELITEOOP-L / ELITEOOP-G



Suitable Cabinet Size: 500mm (D) x 450mm (W) x H
Can be installed on Left or Right door opening



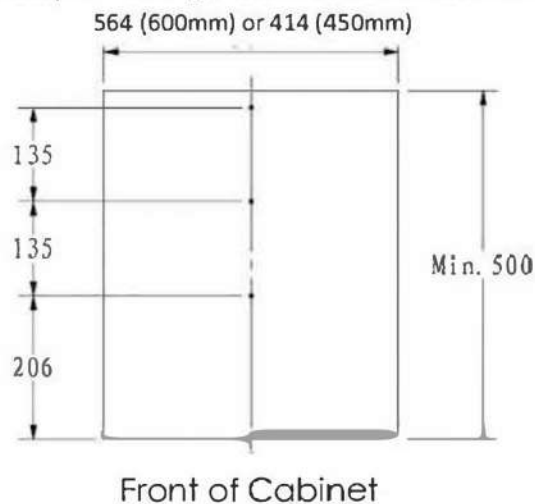
Model	Height (H)
Low Frame	1650mm - 1950mm
High Frame	1850mm - 2150mm



Note: Door plate fitting hinge is greater than 165 degrees

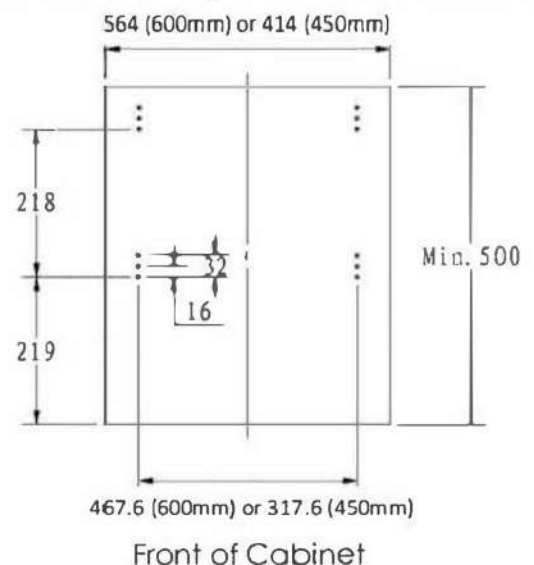
Step One – Mark Top Hole Positions

① Measure as per drawings indications and mark the holes.



Step Two – Mark Base Hole Positions

① Measure as per drawings indications and mark the holes.



Open Out Tandem Pantry

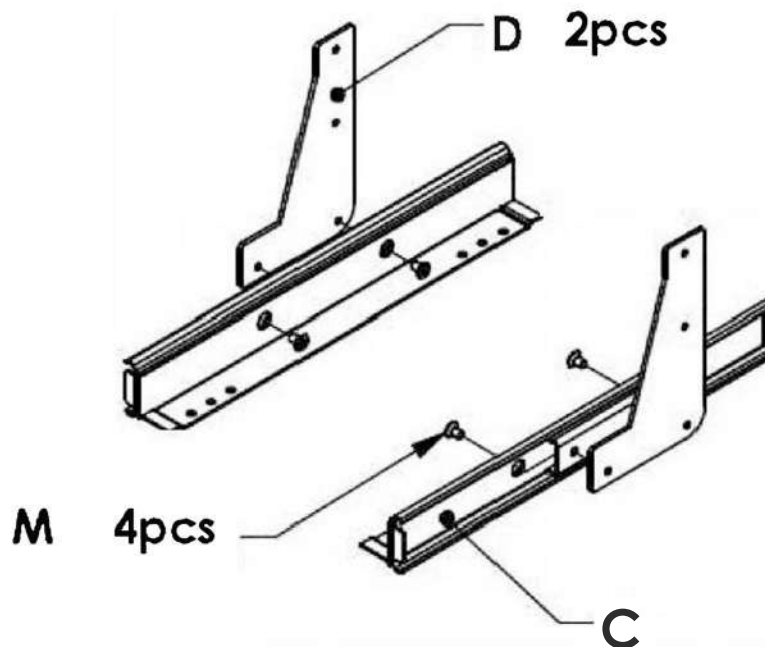
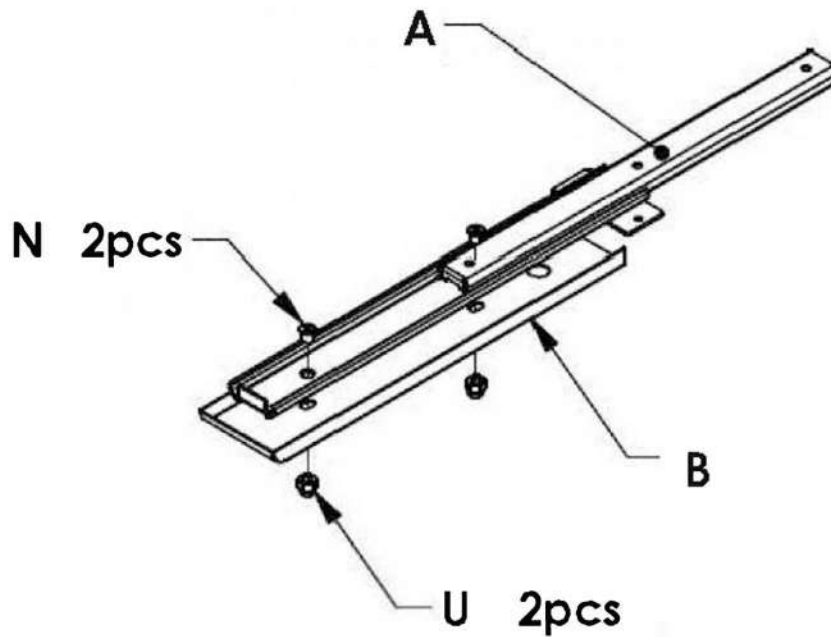
Adjustable Height - for 450mm or 600mm

Cabinet - Internal Unit

ELITEOOP-C / ELITEOOP-B / ELITE OOP-P / ELITEOOP-L / ELITEOOP-G

ELITE[®]
STORAGE SOLUTIONS

Step Three – Fix Top Runner to Connection Slider and Bottom Runners to L Frame Brackets

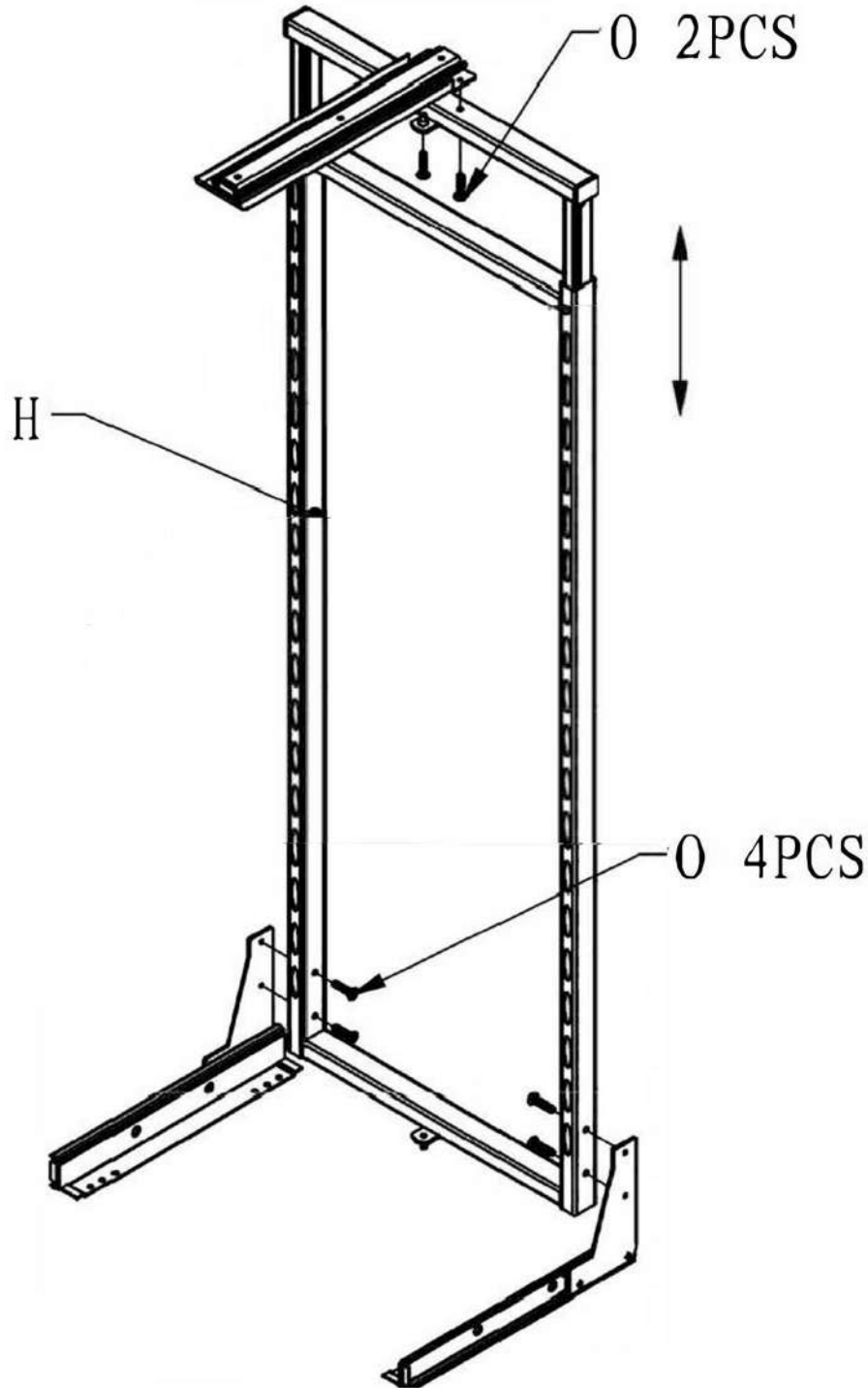


Open Out Tandem Pantry

Adjustable Height - for 450mm or 600mm
Cabinet - Internal Unit

ELITEOOP-C / ELITEOOP-B / ELITE OOP-P / ELITEOOP-L / ELITEOOP-G

Step Four – Fix Frame to Top and bottom Runners



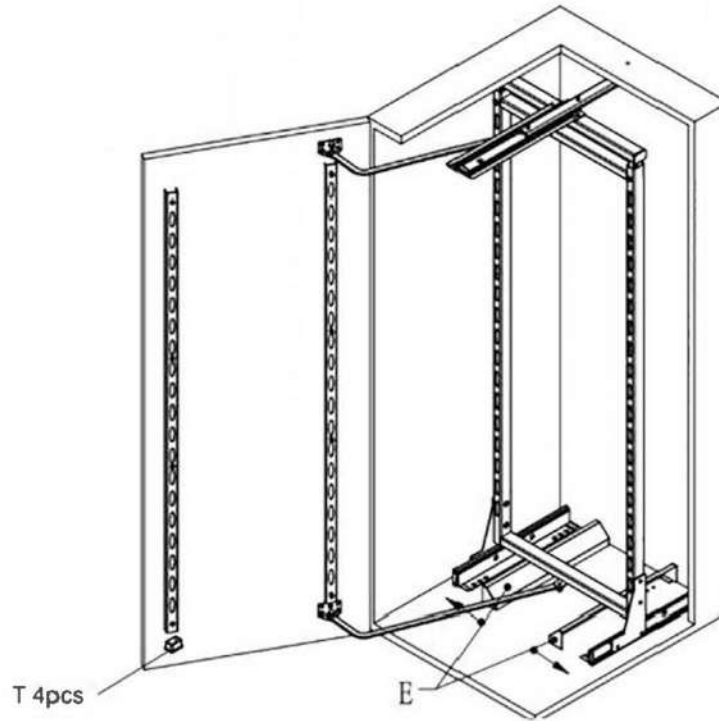
Open Out Tandem Pantry

Adjustable Height - for 450mm or 600mm
Cabinet - Internal Unit

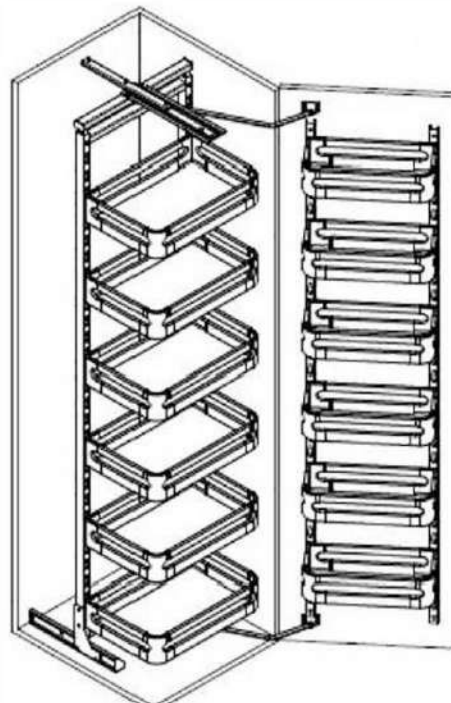
ELITE
STORAGE SOLUTIONS

ELITEOOP-C / ELITEOOP-B / ELITE OOP-P / ELITEOOP-L / ELITEOOP-G

Step Six – Install Runner Covers



Step Seven– Install Pantry Baskets



Note:
Shelf style in diagram may differ from your model.