

ELITE Kitchen Pull-Out Drawer

Fits 400mm, 450mm, and 600mm cabinets

ELITE®

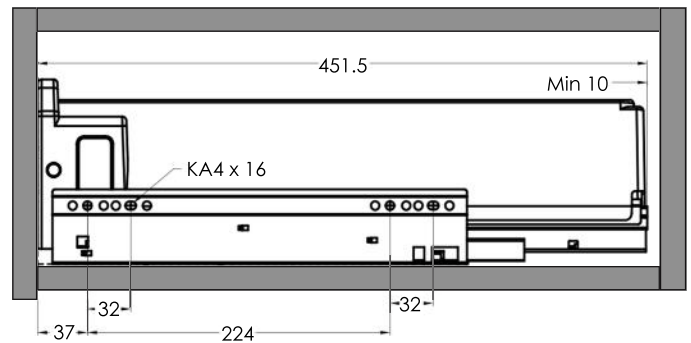
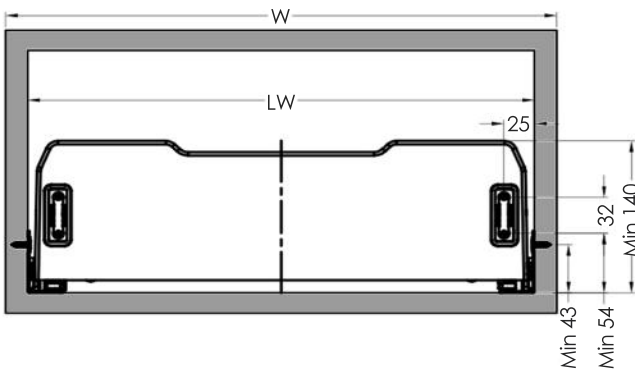
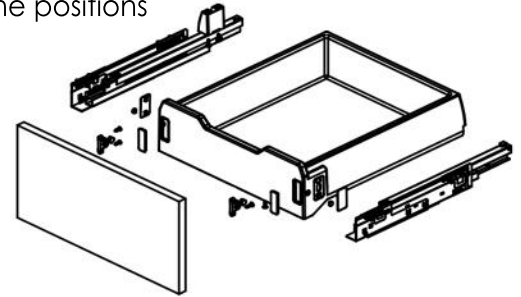
STORAGE SOLUTIONS

STEP 1

Screw the runners into the cabinet walls using the positions marked out below.

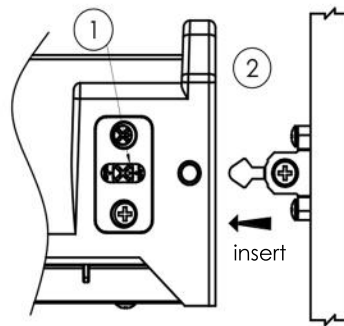
Note: If installing without a cabinet drawer front, ensure it is set back more than 37mm to the second screw hole on the runner.

External Cabinet Width	Drawer Width
W - 400mm	LW - 362~368
W - 450mm	LW - 412~418
W - 600mm	LW - 562~568



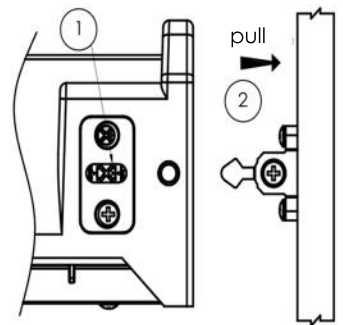
STEP 2

Screw the front connectors (2) onto your cabinet front ensuring they are aligned with the connection points on the drawer. Turn the screw (1) until you hear a CLICK. You can now insert the front connectors and cabinet front onto the drawer.



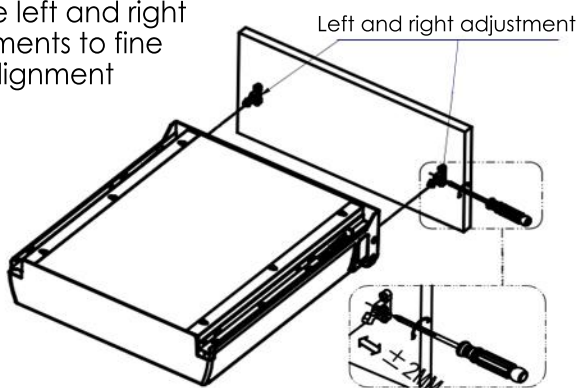
FRONT PANEL REMOVAL

Turn the screw (1) until the front connector is pushed out. Repeat for the other side.



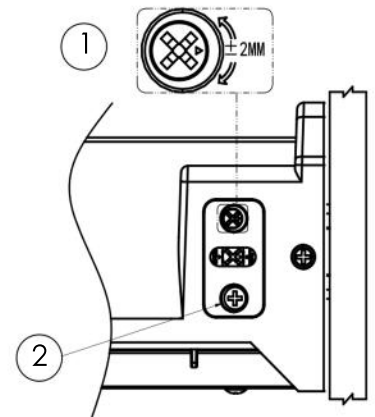
STEP 3A

Use the left and right adjustments to fine tune alignment



STEP 3B

Loosen the locking screw (2) and make up and down adjustments with screw (1). Lock screw (2) when aligned



ELITE Kitchen Pull-Out Drawer

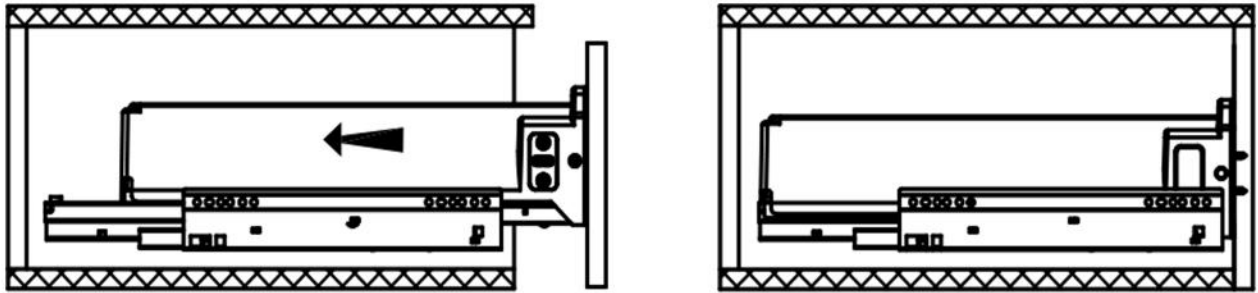
Fits 400mm, 450mm, and 600mm cabinets

ELITE®

STORAGE SOLUTIONS

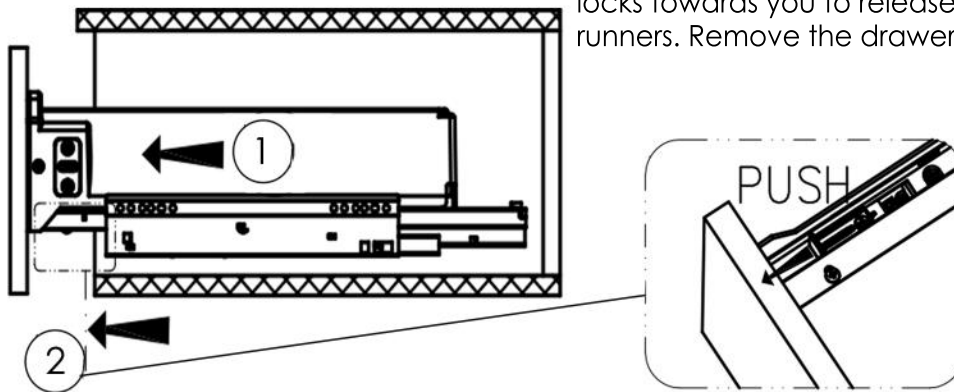
STEP 4

Insert drawer onto runners evenly. Ensure runner locks click into place on both sides



REMOVING THE DRAWER

Extend the drawer out to give access to the runner locks (2) underneath each side. Pull the locks towards you to release the drawer from the runners. Remove the drawer



OPEN SHELF INSTALLATION

Follow STEP 1. Affix plastic covers on to the screw holes, in the absence of a door panel. Proceed to STEP 4

