




**Domestique 40L Twin Slide Out
Concealed Waste Bin**
- for a 400mm Cupboard or Under Sink Installation



Contents List

	Item Name	Image	Quantity
1	Saddle Brackets		4 PCS
2	PA4X16		16 PCS
3	PA4X25		6 PCS
4	Fixings to mount door	See next page	

Models

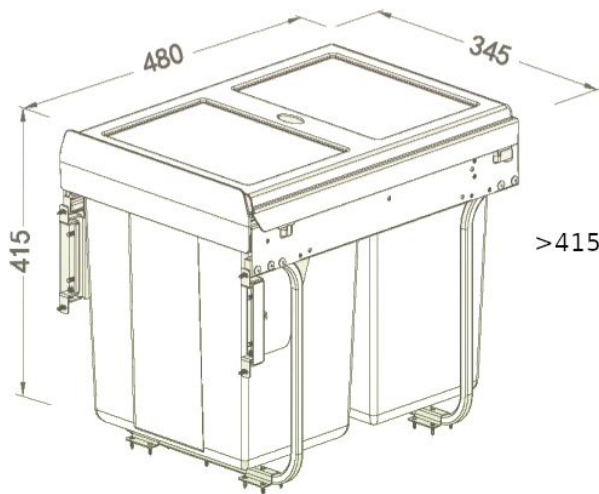
ELITEPOB-400-2-0217

- Twin 40L pull-out – 2 x 20L
- Suits standard 400mm wide cabinet (external)
- Does not include integrated door mount
- 25kg weight limit

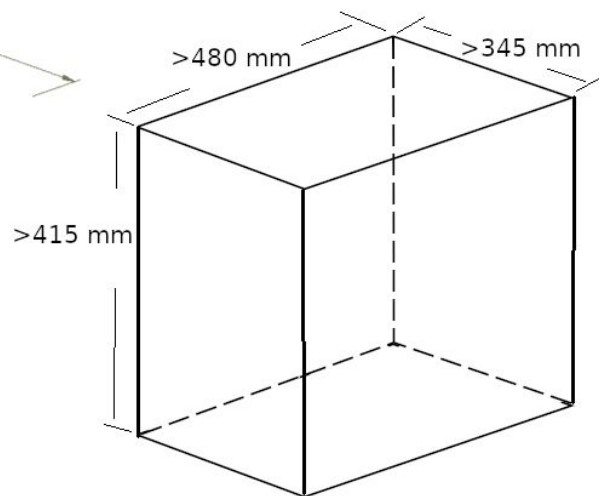
ELITEPOB-400-2-0217-D

- Twin 40L pull-out – 2 x 20L
- Suits standard 400mm wide cabinet (external)
- Includes integrated door mount to attach frame to cabinet door
- 25kg weight limit

Dimensions

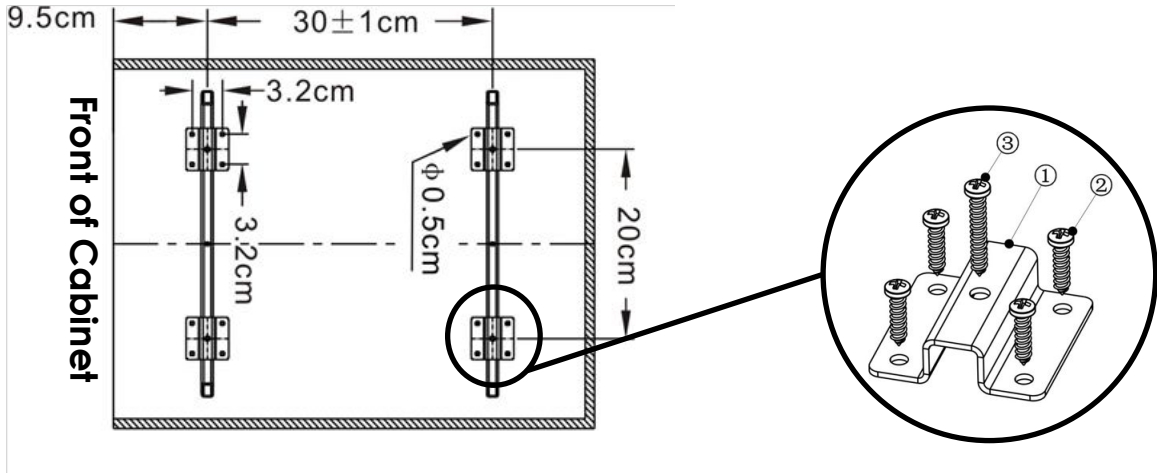


Unit Dimensions



Minimum Cabinet Interior
Dimension Requirements

Mount frame to cabinet base

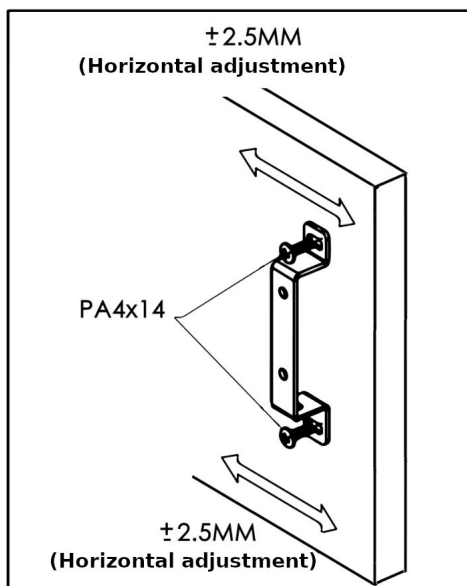


Affixing door (Model ELITEPOB-400-2-0217-D only)

Mounting the cabinet door to the frame allows the bin set to slide out when the cabinet door is pulled out. The optional door mount kit is included in the box.

- Affix each door mount to the bin frame using the three nuts and bolts pre-installed on each side of frame front.
- Affix the door brackets to the back of the cabinet door so that they will align with the door mounts on frame.
- Attach door mounts to the door brackets.
- If required, you can make horizontal, vertical and tilt adjustments to fine tune the alignment of the cabinet door by loosening and tightening the screws/bolts as pictured.

Position door brackets



Attach door to mount

