



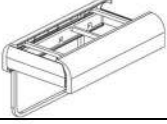





30L Twin Side Mounted Slide Out Slim Concealed Waste Bin - 300mm Cupboard

Contents List

Item Name	Image	Quantity
A 4x16mm screw		X12
B 4x20mm screw		X4
C Spacer		X1
D Bracket		X1
E Frame		x1
F Lid		x1
G Container		x1
H Container		x1



Please ensure that all the above fittings are present before installation begins.

Models

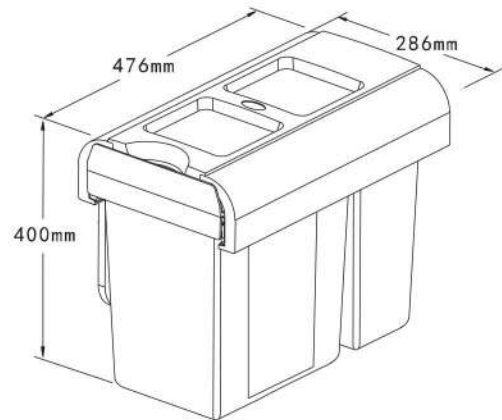
ELITEPOB-300-2-1642-R and ELITEPOB-300-2-1641-L

- Twin 30L pull-out - 1x10L + 1x20L
- Suits any cabinet with at least 300mm in width
- Suits cabinets with hinged door

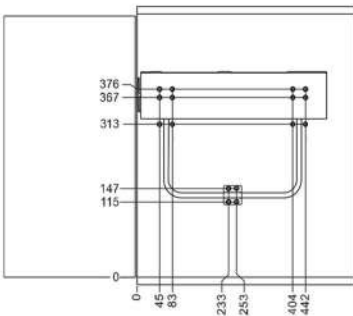


IMPORTANT--The unit has a maximum loading limit of 7 kg.
This instruction is for the Left Side Opening Unit.
The Right Side is symmetrical.

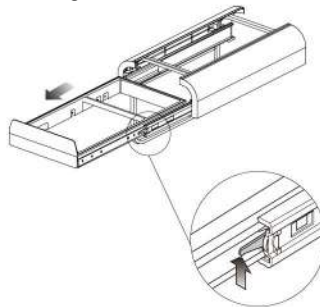
Maximum Dimension Requirements



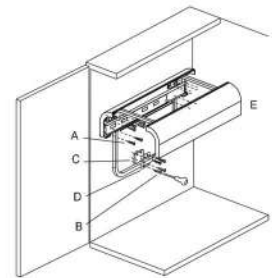
STEP 1: Mark screw positions for the frame on the left side of the cabinet. (unit: mm)



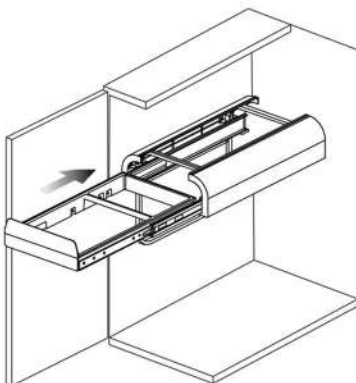
STEP 2: Take out the bracket from the frame to free up space to get the screws attached



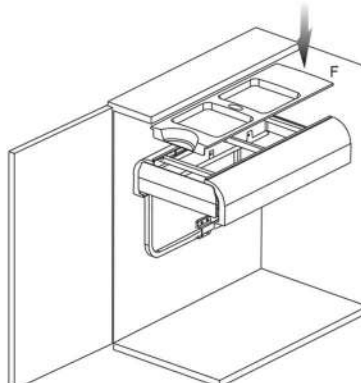
STEP 3: Fit the frame to the left side of the internal cabinet using parts A, B, C and D



STEP 4: Insert the bracket back to the frame



STEP 5: Fit the lid on top of the frame



STEP 6: Affix the containers into the bracket. The 20L container is placed near the cabinet door

