

Domestique 68L Twin/Triple Slide Out Concealed Waste Bin

- 600mm Cupboard
- with Door Mount Kit



Contents List

	ITEM NAME	IMAGE	QUANTITY
1	Saddle brackets		4 pcs
2	PFO4x16		16 pcs
3	PFO4x25		6 pcs
4	KFO4.5x65		4 pcs
5	Plastic screws + M10 nut		4 pcs
6	Side stabiliser		4 pcs
7	TF04x14		8 pcs
FOR DOOR MOUNT			
8	M6x16mm		2pcs
9	M5x10mm		6pcs
10	Door Connector (PRE-ATTACHED TO THE FRAME IN SOME MODELS)		2pcs

Models

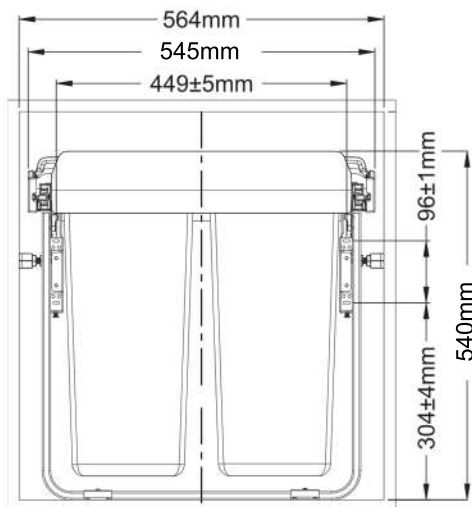
ELITEPOB-600-2-0219-D

- Twin 68L pull-out – 2 x 34L
- Suits standard 600mm wide cabinet (external)
- Includes optional door mount kit to attach frame to cabinet door
- 25kg weight limit

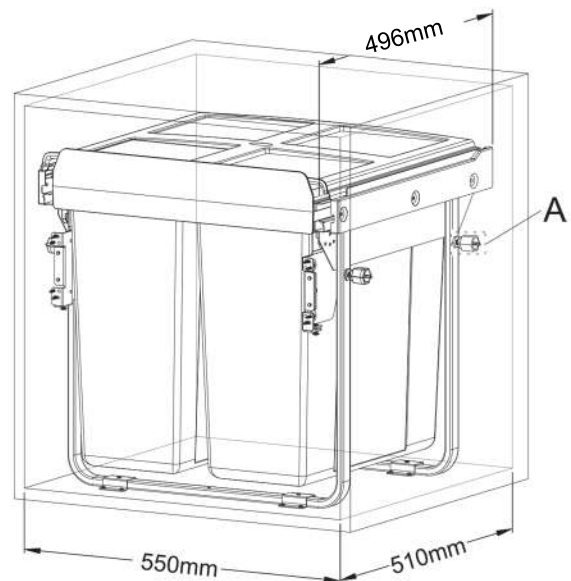
ELITEPOB-600-3-0499-D

- Triple 68L pull-out – 1 x 34L + 2 x 17L
- Suits standard 600mm wide cabinet (external)
- Includes optional door mount kit to attach frame to cabinet door
- 25kg weight limit

Dimensions



Unit Dimensions



Minimum Cabinet Interior Dimension Requirements

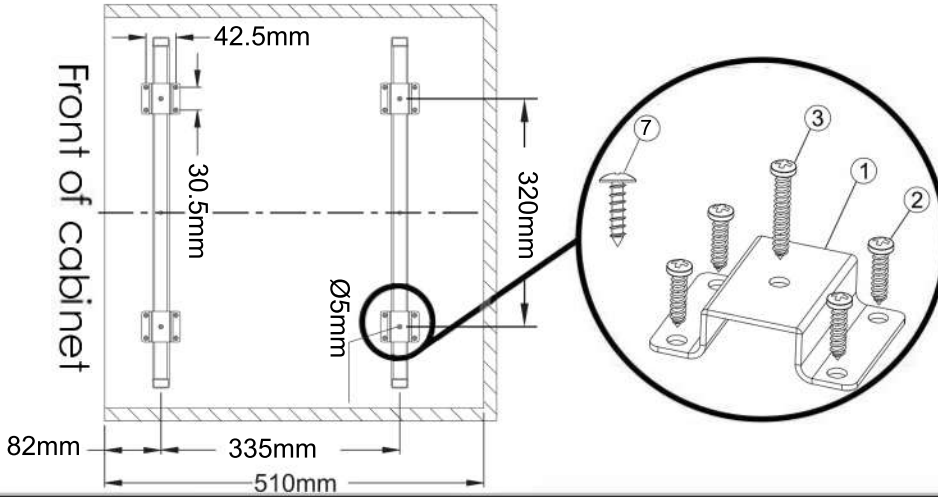
Domestique 68L Twin/Triple Slide Out Concealed Waste Bin

- 600mm Cupboard
- with Door Mount Kit

ELITE®

STORAGE SOLUTIONS

STEP 1: Mount frame to cabinet base



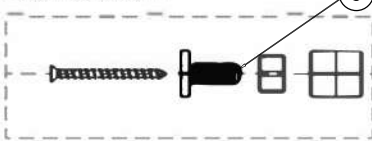
Position frame on cabinet floor (see diagram)

Affix saddles (1) to frame using screws (2) and screws (3) – (see diagram)

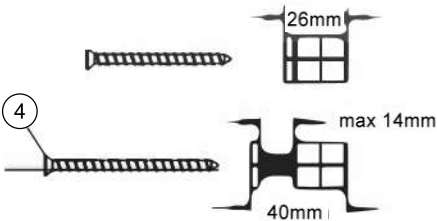
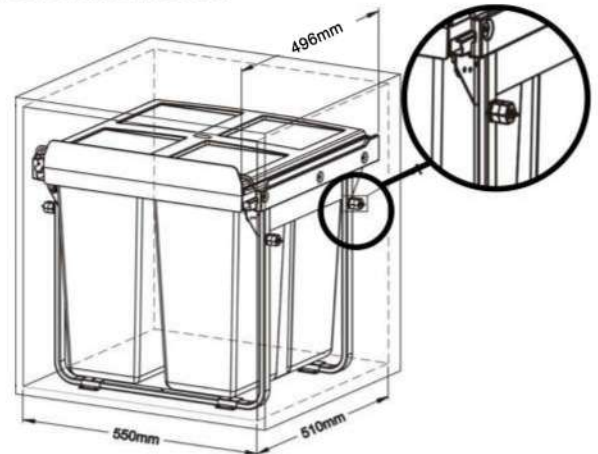
STEP 2: Affixing side stabilisers

NOTE: It is recommended to install the stabilisers to enhance the stability of the installed product

Adjust the stabiliser width to suit cabinet width.



Attach stabiliser to frame using part 4 screw to suit cabinet



STEP 3: Affixing door (optional)

Mounting the cabinet door to the frame allows the bin to slide out when the cabinet door is pulled out. The optional door mount kit is included in the box.

1. Affix the door bracket into the frame.
2. Affix the door bracket to the door connector using the pre-attached screws.
3. Measure the distance between the door connector mounting holes and make sure the door will be aligned with the cabinet before drilling. Screw the door connector onto the door.
4. Align the door to the cabinet using the adjustment screws.

