

Follow these instructions if you are under-mounting your Swedia sink

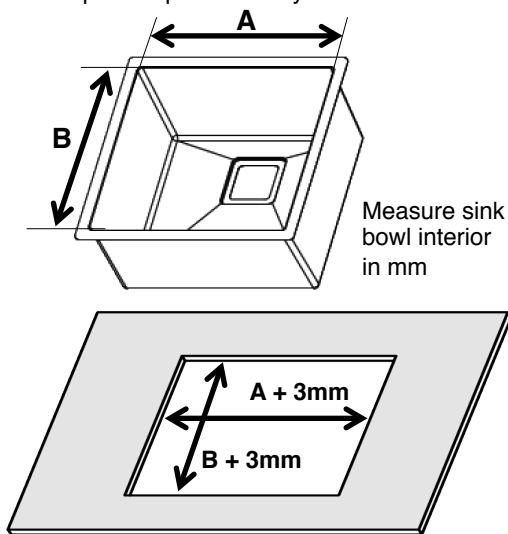
Note – All Swedia undermount sink installations use these instructions. Therefore images may differ from your sink model. Ensure your sink is in perfect condition before installation

Installation components

Description	Quantity
A Stainless Steel Sink	1
B Box of hole plugs, anchor clips and bolts	1

Step 1 – Preparing Benchtop

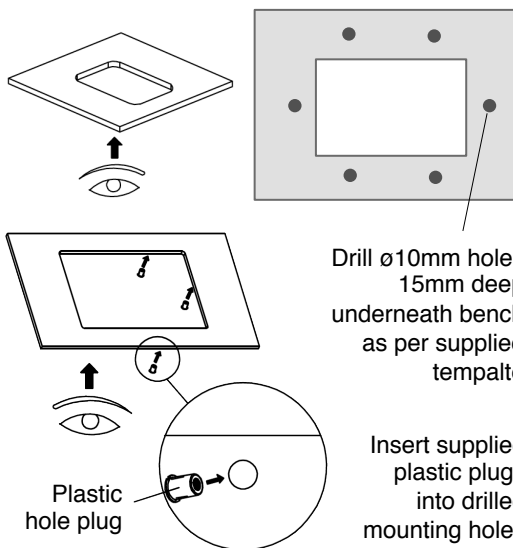
A template is provided or you can create one



Cut hole in benchtop as per above. Match bench hole corner style to sink, i.e. round corners for round cornered sink

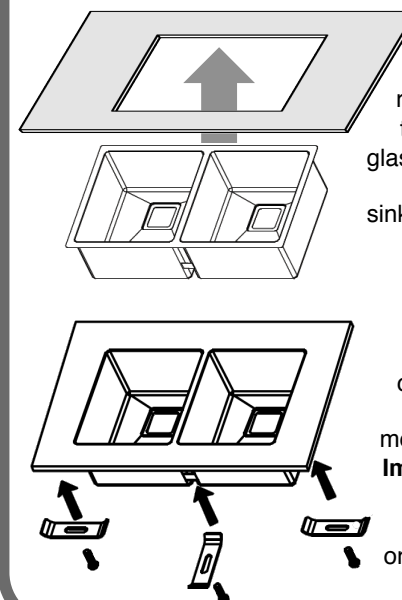
Step 2 – Prepare mounting holes

Look underneath bench hole and measure and mark the mounting hole positions in the bench (SEE SUPPLIED TEMPLATE)



Step 3 – Affix Sink Under Bench

Position sink under bench in line with hole



It is recommended that a suitable glass adhesive is applied when sink is positioned

Affix the sink firmly by fastening the clips and bolts into the mounting holes. **Important:** See supplied template for order of affixing clips