

SWEDIA® Top-Mount Sink Installation Instructions

Copyright SWEDIA®
service@swedia.com.au
+61 (0)3 88 444 899

Follow these instructions if you are top-mounting your Swedia sink into a bench.

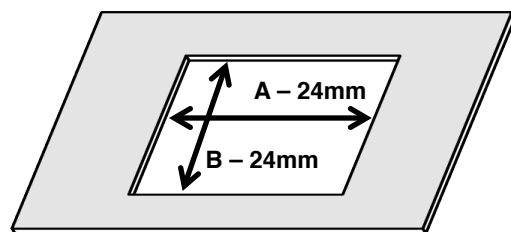
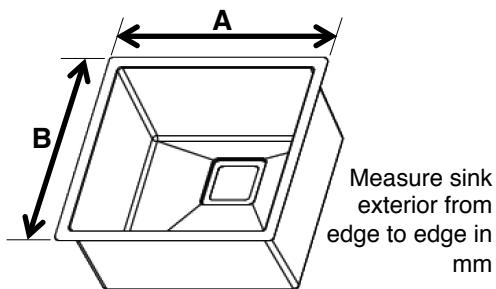
NOTE – All Swedia topmount sink installations use these instructions. Therefore images may differ from your sink model. Ensure your sink is in perfect condition before installation

Installation components

	Description	Quantity
A	Stainless Steel Sink	1
B	Box of installation anchor clips	1
C	Foam adhesive strip	1

Step 1 – Preparing Benchtop

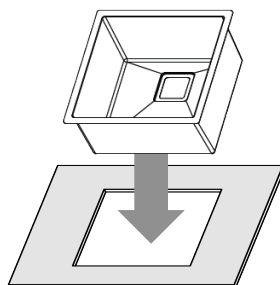
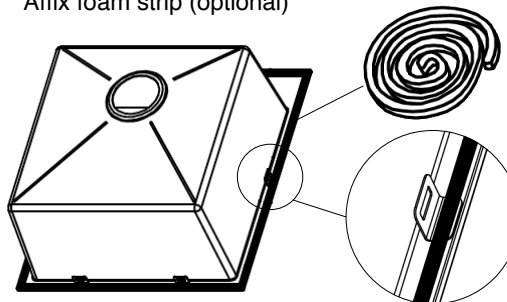
A template is provided or you can create one



Cut hole in benchtop

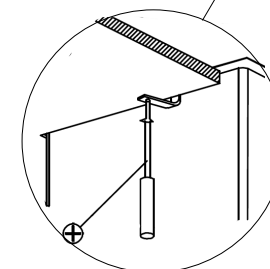
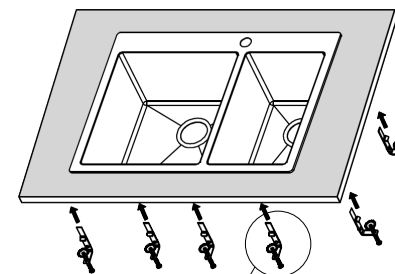
Step 2 – Insert Sink

Affix foam strip (optional)



Step 3 – Affix Sink

Hook the anchor clips onto the sink's anchor points



Tighten the clips with a philips head screwdriver in the order as shown on supplied template