



a modern flooring with brilliance

Installation Instructions

Kodiak Hybrid Flooring Installation Instructions

Acclimatisation & Site inspection	3
General information	3-4
Visual inspection and mixing planks	5
Preparation	5
- Subfloor	5
- Underlay	5
Installation instructions	6
- Getting started	6
- First row	6
- Second row	7
- Third row	7
- Completing the first three rows	8
- Continuing the rest of the installation	8
- Laying the last row	8
- Holes for pipes	8
- Under door frames	9
- Door moulding and skirting	9
- Lifting or removing	9
- Finishing	9
Care & Maintenance Instructions	10
Warranty	11

IMPORTANT NOTICE:

- Please read the entire installation instructions carefully before proceeding with the installation. If not sure, please contact your retailer or the manufacturer.
- Proceed with a visual inspection of the boards before installation. Once installed, the boards are considered accepted by the installer and the homeowner.
- Kodiak Hybrid flooring must be installed as floating floor method only and **CAN NOT** be glued, screwed, nailed or any other fashion fixed to the floor.
- **DO NOT USE** any additional underlayment for this product. The warranty will be compromised if additional underlay is used, unless prior approval is received in writing from the manufacturer.
- Steam mop cleaning method is **NOT ALLOWED** under any circumstances.
- The use of silicone or caulking compound is not allowed throughout the installation.
- Minimum 10-12mm expansion gap is required around the perimeter at all times.

This instruction is a **GUIDE** only. If unsure, please contact your retailer.

Acclimatisation & Site inspection

- Kodiak Hybrid Flooring must be installed in a regulated and liveable environment to prevent possible damage not covered by warranty. As such, Kodiak Hybrid Flooring should not be installed more than 2 weeks prior to occupation of the home.
- Kodiak Hybrid Flooring requires minimum 24 hours acclimatisation on site where it is to be installed at a room temperature between 10 -28°C, in unopened packs prior to installation. Ensure all packs are stacked flat, no more than 4-packs high and stored separated at least 300mm apart.
- Make sure the room temperature is kept between 0°C - 35°C after installation.
- Avoid exposure to direct sunlight, sliding doors and/or windows need to be covered by blinds or curtains. The surface temperature of the floor **SHOULD NEVER** exceed 55°C at any time.
- Flooring should not be delivered until the building has been closed in and cement work, plastering, painting and other materials are completely dry. Concrete and plaster should be cured and at least 60 days old. Check basements and underfloor crawl spaces to ensure they are dry and well ventilated to avoid damage caused by moisture.
- Each plank should be carefully checked prior to installation, do not install sub-standard, non-confirming or faulty boards. Do regular alignment inspections as you continue the installation. The planks are considered accepted by the house owner or installer once installed.
- Handle with care. **DO NOT** stand packs on their ends.
- When Kodiak Hybrid Flooring is ordered, allow approximately 5%-10% for wastage and off-cuts, depending upon size or layout of the room or installation area.

General information

Before installing the flooring, you must clean, sweep or vacuum the subfloor so that it is free of dirt and debris.

Expansion Gap

When installing Kodiak Hybrid Flooring, you must leave an expansion gap around the perimeter of the room of 10-12mm to prevent binding of the flooring. The planks must not be glued or tacked to the subfloor in any way.

DO NOT INSTALL CABINETS, KITCHEN ISLANDS OR ANY HEAVY ITEMS ABOVE 200KG IN WEIGHT ON TOP OF FLOATING FLOORS.

An expansion gap should be maintained when meeting other types of flooring. This also applies to any obstructions (kitchen islands, benches, columns, pipes, etc.) in the installation. Door jambs must be undercut to allow for expansion at all times; do not force the flooring under tight door jambs.

Cutting the planks

When cutting Kodiak Hybrid Flooring, it is recommended to cut with the decorative side up by using a Utility Knife and 'Score and Snap'. Alternatively, you can also use a Jigsaw to cut the long side of the plank with the decorative side down. Always start a row with a plank at least 400mm long and ensure the minimum end joint offset is 400mm apart.

Expansion Moulding

If the installation areas are greater than 25m in length and/or 15m in width or those with separate rooms, you will require the use of transition moulding to provide proper expansion space. Remove base mouldings. If necessary, the planks in the first row can be cut to a narrow width to ensure the planks of the final row are at least 50mm wide.

This instruction is a **GUIDE** only. If unsure, please contact your retailer.

Wet Areas

Kodiak Hybrid Flooring can be installed in wet areas including bathroom & laundry, however must be separated from any adjoining floors. Check and ensure the product is compliant with the National Construction Code (NCC) and your local building code.

Please AVOID the following:

- Any free-standing bathtubs should not be installed on a Kodiak Hybrid Floor
- Kodiak Hybrid Floor is not suitable for a wet area with a floor waste
- The use of silicone or caulking compound is not allowed at any time
- **DO NOT** leave water on the floor for more than 5 mins
- **DO NOT** leave wet towels or bath mats on the floor for any length of time

Underfloor Heating

Kodiak Hybrid Flooring can be installed over hydronic heated slabs.

DO NOT INSTALL KODIAK HYBRID FLOORING OVER ANY OTHER TYPES OF UNDERFLOOR HEATING SYSTEM.

The floor must be installed by a professional installer, and always follow all the manufacturers' guidelines to make sure your warranty won't be compromised. Available in-slab heating system ONLY. Always install a 200um plastic moisture barrier first before installing.

Operate the heat system at maximum capacity for at least 14 days prior to installation to reduce residual moisture from the concrete. Shut down the heat system at least 48 hours prior to installation.

DO NOT STORE ANY FLOORBOARDS IN THE DWELLING DURING THIS PROCESS.

Make sure that the room temperature is a minimum of 16°C during the installation. In addition, the temperature of the heated slab **MUST NOT** exceed 26°C at any time. A maximum increase/decrease rate of 2°C each day is allowed until you've reached the desired temperature.

After floor installation is complete, the floor requires gradual acclimatisation in conjunction with the heating system. Using an in-floor temperature sensor is highly recommended to avoid overheating.

Layout and Measure

First, determine which way to run the planks. Rules of thumb are:

- Lengthwise in the longest direction of the room.
- Lengthwise perpendicular to the main source of incoming light.

To avoid straddling a door jamb with a plank, measure back to the starting wall to ensure a plank connection within the door jamb area. It is recommended that you do not end up with a narrow strip at the end that is less than 50mm wide on any wall in the room. Make sure to cut both first and last rows, so they are equal in width.

Undercut all door jambs so that the flooring will easily slide underneath them, this will help to ensure the floor is not pinned by the door jambs. Using a scrap piece of flooring and underlayment as a guide, undercut the jambs with a jamb saw or regular handsaw. Always leave an expansion space between the flooring and all walls or other fixed objects.

Tools Required

- Safety glasses
- Dust mask
- Measuring tape and square
- Ruler
- Sharp 'Stanley' type knife
- Pencil
- Pull bar
- Hammer
- Tapping block
- 'Table type' power saw with dust collector, or a circular saw with carbide-tipped blade, or a power jigsaw, multitool, drop saw, and undercut saw
- Small hand tools associated with woodworking
- Expansion wedges (Suitable sized spacer blocks of plastic or wood)
- Suitable adhesive, moisture barrier, and residue remover
- Trims
- Scotia
- Stair Nosing
- SelectGuard® floor protection

This instruction is a **GUIDE** only. If unsure, please contact your retailer.

Visual inspection and mixing planks

Notice to installer

Planks showing visible defects should never be installed. These planks should be put aside and used for cuts or submitted for a product warranty claim. Warranty claims resulting from the installation of such planks will not be honoured. For best results, it is recommended that material be mixed from four (4) to six (6) boxes when installing Kodiak Hybrid Flooring.

DO NOT PUT LIKE PLANKS NEXT TO EACH OTHER. THE INSTALLER MUST RANDOMLY STAGGER END JOINTS FOR BEST VISUAL APPEAL.

Preparation

SUBFLOORS MUST BE CHECKED PRIOR TO INSTALLATION.

Subfloor

Kodiak Hybrid Flooring **CAN NOT** be installed over any existing flooring that has an attached cushion or is a floating floor such as carpet or carpet underlay. However, it can be installed over well-bond vinyl or ceramic tiles if sufficiently level. Tile grout joints or other gaps of more than 2mm in depth and 4mm in width should be levelled.

Please ensure the subfloor or surface that the flooring is being installed over is level. Using a 1m straightedge, the subfloor level should not exceed 3mm over 1 lineal metre in any direction. Remember, uneven floors may lead to movement, noise and ultimately product joins failure, so it is necessary to assess the levelness and get it right. Timber subfloors can be sanded level and concrete subfloors or existing floor coverings can usually be levelled using a cement based self-levelling compound. Existing floorcoverings may need latex based levelling compound.

Concrete slabs must be cured and dry. The relative humidity of a concrete slab **MUST NOT** exceed 85% at any time in accordance with the current National Construction Codes (NCC).

Wooden and wood-based materials (plywood, OSB, particle board) must be dry, with a moisture reading no greater than 14% (this should be checked with a moisture meter). All wooden subfloors must be greater than 19mm thickness. Ensure that the boards of the subfloor are properly fastened to the supporting beams and that you do not have any squeaking or depressed areas. Patch if needed and fill depressed areas with floor levelling compound. Raised areas must be sanded down. The subfloor must be smooth, flat, structurally sound and free of deflection.

Underlay

Kodiak Hybrid flooring has attached a 1mm underlay which is adequate for most residential installations.

IMPORTANT: DO NOT USE ANY ADDITIONAL UNDERLAYMENT FOR THIS PRODUCT AS THE MANUFACTURER'S WARRANTY WILL BE VOIDED. FOR COMMERCIAL OR MULTI-RESIDENTIAL INSTALLATIONS, IF ANY ADDITIONAL UNDERLAY IS REQUIRED, A FORMAL LETTER OF AUTHORISATION FROM THE MANUFACTURER MUST BE OBTAINED PRIOR TO THE INSTALLATION.

Kodiak Hybrid Flooring Installation Instructions

This instruction is a **GUIDE** only. If unsure, please contact your retailer.

Installation

1. Getting started

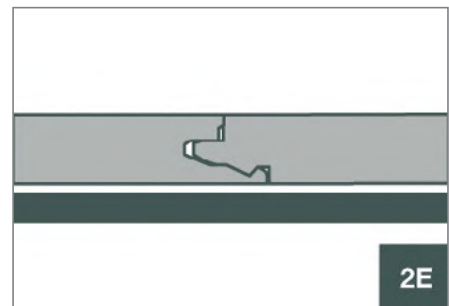
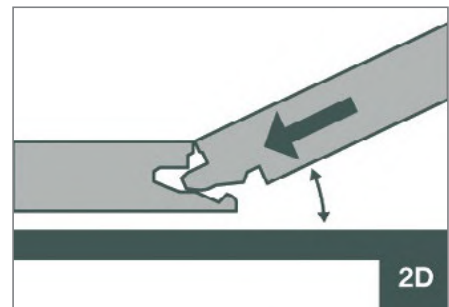
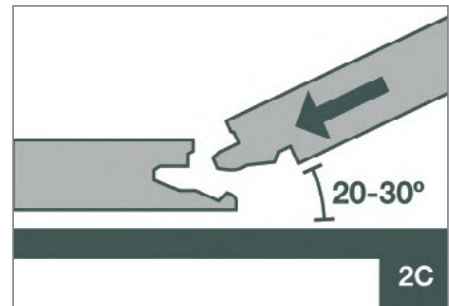
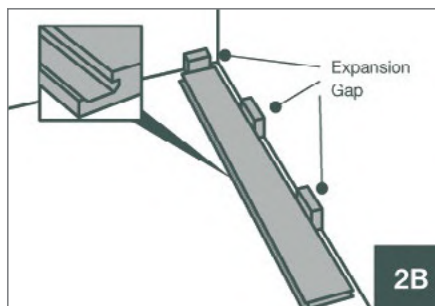
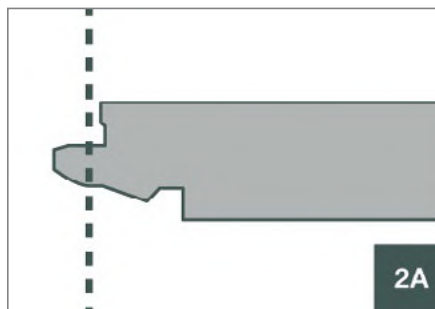
Check the planks before you start to make sure that they are not in any way damaged or have quality defects. After cleaning the subfloor, you can start the installation.

2. First row

Start installation of the planks in the left-hand corner, tongue-side against the wall. Begin the first row with a whole plank. First saw off the tongue on both long and short sides. Put the plank with sawn off sides against the wall.

Make sure you place both sides of the plank 10-12mm from the wall, put spacers between the plank and the wall. Position the short side of the next plank to be installed at an angle of 20-30° to the first plank already installed. Move the plank gently up and down and at the same time exert forward pressure. The planks will automatically click into place.

Repeat the same for the next 3-4 planks and then start the second row. Ensure the long sides of the planks make a straight line.



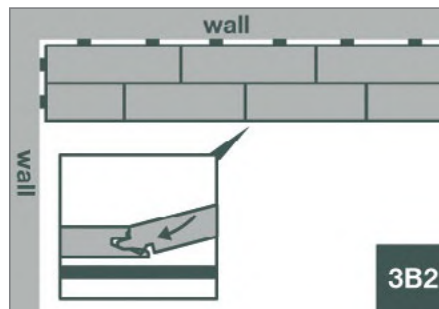
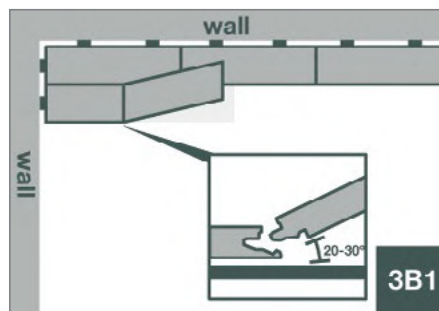
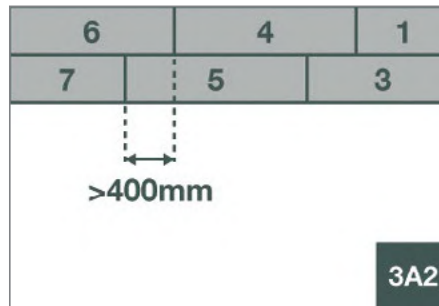
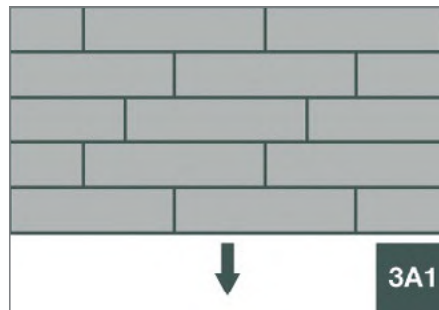
This instruction is a **GUIDE** only. If unsure, please contact your retailer.

3. Second row

Use a cut piece of plank at least 400mm long to start the second row. **Always ensure that the end joints are randomly staggered at least 400mm apart.**

Place the long side of the plank into the first row at an angle of 20-30°, the plank will automatically click together. Engage the short side tongue of the new plank into the groove of the first plank of the second row at 20-30° angle. Then push the long side tongue of the new plank at an angle of 20-30° into the groove of the planks of the first row.

Move the plank gently up and down and at the same time exert forward pressure. The planks will automatically click into place. Repeat the same steps for the next 3-4 planks and then start the third row.

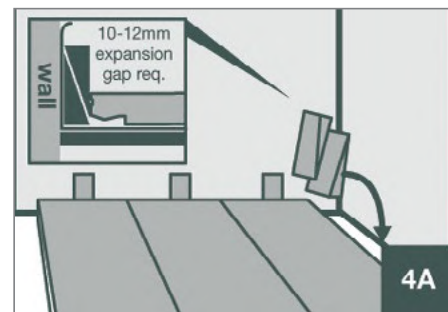


You can tap the long side of the plank into the groove by using a professional tapping block. The planks should not be joined by a single tap. To avoid damaging the planks, you must tap them together gradually.

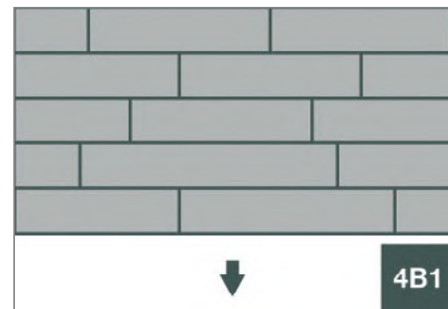
DO NOT APPLY FORCE ON END JOINTS AS IT WILL DAMAGE THE LOCKING MECHANISM.

4. Third row

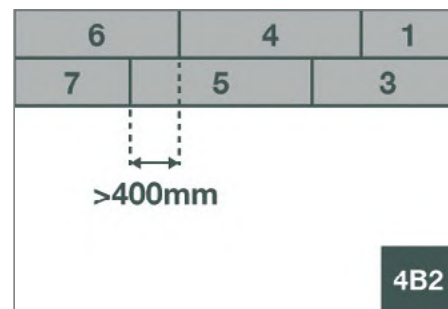
Start the third row in the same way as the second row. It is practical to adjust the expansion gap between the long sides and the wall when three rows have been installed. Ensure a 10-12mm expansion gap to the wall is left with the use of spacers.



It is very critical and important to keep the first three rows straight and square as it will affect the rest of installation.



Always ensure that the end joints are randomly staggered at least 400mm apart.



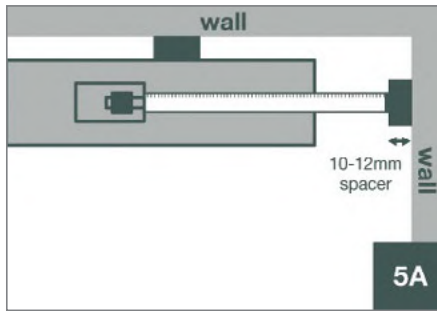
This instruction is a **GUIDE** only. If unsure, please contact your retailer.

DO NOT TAP THE SHORT SIDES OF THE PLANK AT ANY TIME.



5. Completing the first three rows

Move back to the first row and continue the installation. Place the final plank of the row face down. The distance to the wall must be 10-12mm. Mark where the plank is to be cut. Place the plank decorative side up on the work surface and cut to size using a Utility Knife and 'Score and Snap'.



6. Continuing the rest of the installation

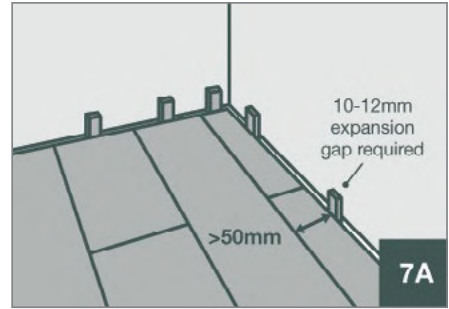
Repeat the same process row by row. Check to be certain that the locking mechanism on all planks are fully engaged. If gapping is noticed or the planks are not laid flat, simply disengage the long side by lifting up and then carefully tilt and lift the short side.

DO NOT APPLY FORCE ON END JOINTS AS IT WILL DAMAGE THE LOCKING MECHANISM.

In some places where it is too difficult to install with the tapping block (e.g. against the wall), you can tap them together using a pull bar and hammer. After 2-3 rows, adjust the distance to the front wall by placing spacers 10-12mm. Continue the row by locking in the length of the planks until the ends are joined together.

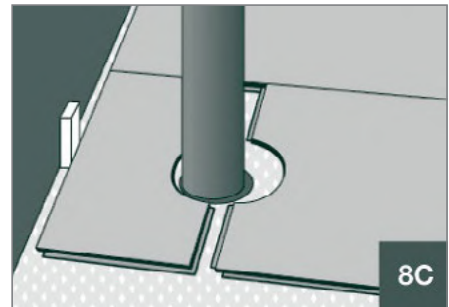
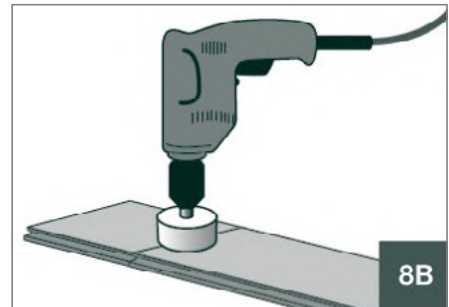
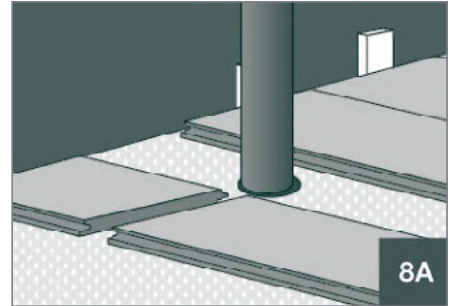
7. Laying the last row

Measure and cut the plank, it must be a minimum 50mm in width. Leave a 10-12mm expansion gap to the wall.



8. Holes for pipes

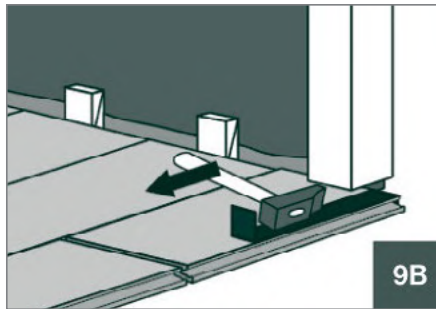
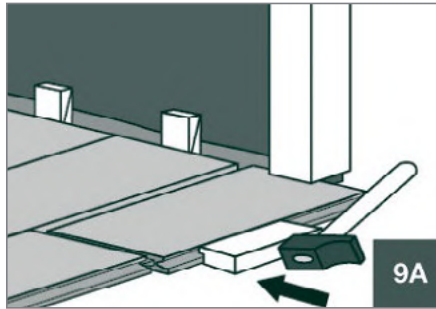
Measure the diameter of the pipe and drill a hole that is 20-24mm larger to allow for expansion. Saw off a piece and then lay the plank in place on the floor.



This instruction is a **GUIDE** only. If unsure, please contact your retailer.

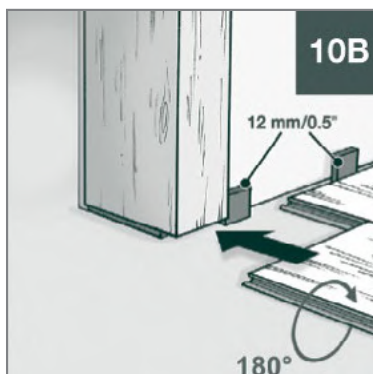
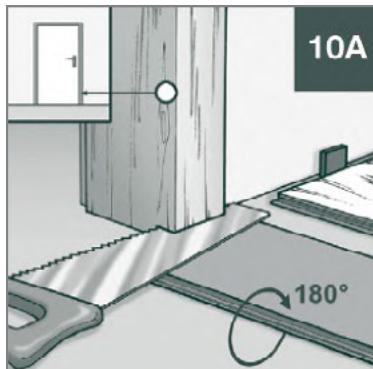
9. Under door frames

When you have sawed the planks, ensure that the expansion joint under the door is at least 10-12mm. If the planks cannot be lifted, gently use a tapping block or pulling iron and hammer to tap the planks together with the planks flat against the floor until it clicks into place.



10. Door moulding and skirting

Lay a plank (with the decorative side down) next to the door moulding to measure where it is to be cut using a jamb saw or regular handsaw. Cut the plank and slide it under the moulding.



11. Lifting or removing

It is possible to remove or replace planks that have been laid as floating flooring in living areas and commercial areas without causing any damage. First release the whole row along the long side by angling it up to free it from the locking mechanism. The planks then can be disengaged by sliding apart carefully on the end/short side.

DO NOT PULL UP ON THIS JOINT AS IT WILL DAMAGE THE LOCKING MECHANISM.

Please be particularly diligent and careful when undertaking this work to avoid any damage to the locking systems.

12. Finishing

Remove all the spacers and make sure the 10-12mm expansion gap is left around the perimeter. Install the scotias, skirting boards and other mouldings against the wall. Never attach the mouldings to the floor. This method allows the floor to expand and contract. Ensure the room temperature doesn't exceed 30°C at any time. Protect the flooring from furniture and chair legs with suitable felt or plastic mats.

IMPORTANT: THE USE OF SILICONE OR CAULKING COMPOUND IS NOT ALLOWED AROUND THE PERIMETER OF THE INSTALLATION.

Care & Maintenance Instructions

Prevention

- Installing good quality mats both inside and outside of external doors, mats should be as large as possible and able to trap both grit and moisture.
- Remove your shoes whenever possible, this will help reduce the amount of dirt brought into the property and impact damage from stilettos.
- In high traffic areas, such as entrance halls and kitchens, the use of mats is recommended to give added protection.
- All furniture should have felt pads fitted to the base of legs or on other areas in contact with the floor to avoid scratches.
- On heavy furniture felt backed castors can be used if required.
- Avoid using wheeled chairs (i.e., office furniture) or ensure that a large, good quality office mat is used to prevent indentations in the floor.
- Rubber based items (e.g., the backing for matting, castors under furniture and rubber tipped furniture feet) should not be in direct contact with the floor.
- Wipe up all spillages immediately.

Cleaning

- **NEVER USE STEAM MOP AND WET & DRY ELECTRONIC VACUUM CLEANERS TO CLEAN YOUR HYBRID FLOORS.**
- Use our SelectCare+ Spray Mop and SelectCare+ Hard Floor Cleaner kit to clean the floor's surface when required. This will remove stains, dirt, footprints, and any other marks that may be present.
- Always dry clean the floor first. Spray the surface sparingly with our SelectCare+ Hard Floor Cleaner and clean using the microfiber cleaning pad, rinse the mop pad regularly in clean water and replace when dirty. If spills occur, they must be wiped up as quickly as possible. Always use a lightly damp, 'wrung out well' mop to clean your installed Hybrid Floors.
- Pull the mop back towards you and wipe lengthways across the floor, making zigzag movements across the floor.
- Make sure floor is wiped dry with a microfiber cloth and no moisture is left on the floor after cleaning.
- Dry cleaning of the floor should be carried out regularly to remove loose dirt, grit, and dust. Use a dusting pad or soft broom.
- If vacuum cleaning, the cleaning head must have a soft brush to avoid damage to the floor.
- **DO NOT USE** scouring products and any wax or varnish coating on the floor.

Avoid the following

- Pulling or pushing furniture or other objects across the floor.
- Using abrasive cleaning materials, or harsh detergents/household cleaners on the floor. These cleaning methods/materials will harm the surface of the floor and may cause physical damage to the boards.
- Polishing, waxing, oiling, and sanding the floor.
- Exposure to direct sunlight through sliding doors and/or windows. Hybrid Flooring needs to be protected from direct sunlight by blinds or curtains. The surface temperature of the floor **SHOULD NEVER** exceed 55°C at any time.
- **EXCESSIVE WATER SHOULD NOT BE USED.**
- **STEAM MOPS AND WET & DRY VACUUM CLEANERS ARE NOT ALLOWED** for Hybrid Flooring under any circumstances.

Please always visit our website www.asttimbers.com.au for the most up-to date version of our installation instructions, warranty, technical data sheet and care & maintenance as it may have been revised and updated.

Kodiak Hybrid Flooring Warranty

These warranties, which begin from the date of purchase, apply to products used in residential applications.

Installation is installed in strict accordance with current written installation instructions.

Maintenance care guidelines must be adhered to.

Non-Assignment the warranty is limited to the original purchaser and may not be assigned or transferred.

Kodiak Hybrid flooring installation instructions must be followed strictly when installing your floors and the manufacturer's Care & Maintenance Guidelines should be followed at all times after your floor is installed.

All installation instructions can be found inside each pack of Kodiak Hybrid flooring and the manufacturer's Care & Maintenance Guidelines can be obtained by contacting your local retailer or our website www.asttimbers.com.au at any time.

Please make sure you fully understand the manufacturer's care & maintenance guidelines before commencing any cleaning and maintenance schedules.

IMPORTANT: The floorboards must be inspected prior to use and any planks deemed not fit for service, should not be installed and will not be covered by warranty provisions.

After installation, certain cupping and gapping issues could be considered site related installation or performance issues and may not be covered by the warranty and other consumer related product purchase laws.

Lifetime Residential Warranty & 15 Year Commercial Warranty

Kodiak Hybrid flooring provides for a Lifetime Limited Residential Warranty and 15 Year Limited Commercial Wear Warranty. From the date of purchase, the manufacturer warrants to the original purchaser only, that under normal domestic conditions of use, the surface will not wear through during the period warranted.

With proper maintenance, the goods will perform under normal household conditions. Scratches, dents, reduction of gloss (appearance reduction), damage caused by negligence, urine, animals, or high-heeled shoes are not considered as a defect and therefore are not covered by this warranty.

All furniture requires felt to be adhered to the underneath to protect the surface of your floor. From time to time this will need to be maintained and checked for wear.

PLEASE NOTE: All warranty claims must be lodged by contacting the retailer from the where the flooring was purchased within 30 days of the problem being noticed along with proof of purchase (date), identity of the wholesaler or retailer, and the location of installation.

All assessment and final approval for replacement or rectification work that may need to occur for faulty planks or floor installation must be formally inspected and approved by the supplier prior to any repair activities.

Major Failure

Kodiak Hybrid flooring is highly resistant to chips, scratches, stains, and wear, but is still not "proof" in any respects (i.e., scratch proof).

Slight colour variation from batch to batch may occur, minor gaps between the joins of each board might be caused by temperature change. Please note these minor gaps, batch colour variation, chips, scratches are not considered as major failure. Once floor has been installed, it is considered that the product has been accepted by the installer/contractor.

Acceptable quality and user guidelines

Kodiak Hybrid Flooring is designed for use in internal environments including floors, walls, etc, and should not be used externally. Furthermore, Kodiak Hybrid flooring should not be directly adhered to a subfloor and must be installed as a floating floor.

Kodiak Hybrid flooring must be installed in a "hybrid flooring friendly environment" in which the area is occupied and protected from direct heat and sunlight. If not protected, the product could expand and contract abnormally, sliding doors and/or windows therefore need to be covered by blinds or curtains. Heating and cooling systems must be in place and used to control the internal temperatures. Keep the environment temperature between 0°C-35°C.

Kodiak Hybrid flooring can be installed in bathrooms and laundries, however, it must be separated from any adjoining floors. Seal the perimeter of the floor using a bathroom grade silicone.

Kodiak Hybrid flooring can be installed over a hydronic heated subfloor. Please note that the slab surface temperature must not exceed 26 degrees Celsius at any time. Strictly follow Kodiak Hybrid Flooring Heated Subfloor Installation Instructions to avoid compromising this warranty.

Kodiak Hybrid Flooring 15 Year Commercial Wear Warranty does not apply to:

- All industrial food areas, such as, but not limited to, intensively frequented restaurants and cafeterias, pubs, dance halls.
- All institutional applications, such as, but not limited to hospitals and government buildings.
- Heavy commercial areas, such as, but not limited to airports, lobbies, schools, and barber shops.
- Other areas that have heavy traffic and immediate access to street traffic.

Australian Consumer Law:

Our goods come with guarantees that cannot be excluded under the Australian Consumer Law. You are entitled to a replacement or refund for a major failure and compensation for any other reasonably foreseeable loss or damage. You are also entitled to have the goods repaired or replaced if the goods fail to be of acceptable quality and the failure does not amount to a major failure.

Warranty Exclusions:

- The manufacturer for the purpose of this warranty will be referred to as 'the supplier'. Breach of Warranty Conditions - any breach of warranty conditions will void the warranty.
- Directly associated with improper installation or care and maintenance will void the warranty. Kodiak Hybrid flooring must be installed in strict accordance with the manufacturer's current written installation instructions. In addition, the Kodiak Hybrid flooring care and maintenance guidelines must be adhered to.
- Any damages incurred by direct exposure to excessive heat and/or sunlight.
- Scratches, surface marks/stains, chipping or indentations of any type are also not covered by this warranty.
- Boards that are visibly faulty or deemed visually or structurally inappropriate prior to installation should not be installed and are therefore also not covered by this warranty.
- Surface coating damage caused by using duct tape, masking tape and/or other industry tapes.
- Damage, intentional or accidental: abuse, misuse, stiletto heels, dragged objects, heavy furniture, sand, stones, castor wheels, dropped items.
- Direct or indirect result of incorrect use of heating and cooling systems will not be covered by this warranty. Please note subfloor heating needs to be operated as per manufacturers guidelines. Always consult with the manufacturer to better understand operating methods.
- Direct or indirect result of moisture ingress and heat damage along with the incorrect use of cleaning will not be covered by this warranty. **STEAM MOPS AND WET & DRY VACUUM CLEANERS ARE NOT ALLOWED FOR HYBRID FLOORING UNDER ANY CIRCUMSTANCES.**
- Labour charges associated with any rectification work may apply. In some cases, reasonable labour costs may be considered, at the sole discretion of the manufacturer's authorised representative.
- Misuse of the warranty does not extend to damage caused by moisture penetration through the subfloor, other flooding, leaking, plumbing, overflowing, hydrostatic pressure, or any other water damage.
- Alterations where floor or subflooring has been altered, repaired, resurfaced, or replaced, no warranty will apply except to the extent implied by law.
- Any costs associated with any rectification work required other than the supply of new flooring and scotia beading if necessary. Re-painting, removal of fixtures or furniture, accommodation and any other cost is specifically excluded from this warranty.

Australian
Select
Timbers®

www.asttimbers.com.au