

## Freestanding Tub Filler Faucet Manual

Caution: This instructions book is written for universal use and subject to specification variance of actual parts.



**For easy installation of your faucet please do the following:**

- Thoroughly read all instruction before installing the enclosed faucet.
- Read and understand all warnings, care and maintenance information.

## Product Description & Information

The freestanding tub filler faucet upholds the timeless essence of antique faucet design while incorporating the benefits of modern day technology and convenience. Introduce a nostalgic look to your bathroom with our tub filler faucet that has two ergonomic lever handles, a corrosion and tarnish resistant finish, and an elegant brass hand-shower that produces a truly enjoyable bathing experience.

**CAREFULLY READ THIS INSTRUCTION MANUAL BEFORE INSTALLING AND USING THIS PRODUCT.**

**PLEASE KEEP THIS INSTRUCTION MANUAL FOR FUTURE REFERENCE FOR PRODUCT OPERATION AND MAINTENANCE.**

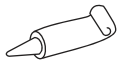
### Features:

- Elegant Brass Hand Shower
- Solid Brass Construction
- Ceramic Disc Cartridge
- Swivel Spout

### Package Contents :

- 1- Freestanding Tub Filler Faucet
- 1- Installation Accessories
- 1- Hand Shower And Hose
- 2- Cover Plate

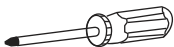
### TOOLS YOU WILL NEED:



Plumber' s putty



Pipe tape



Phillips screwdriver



Pliers

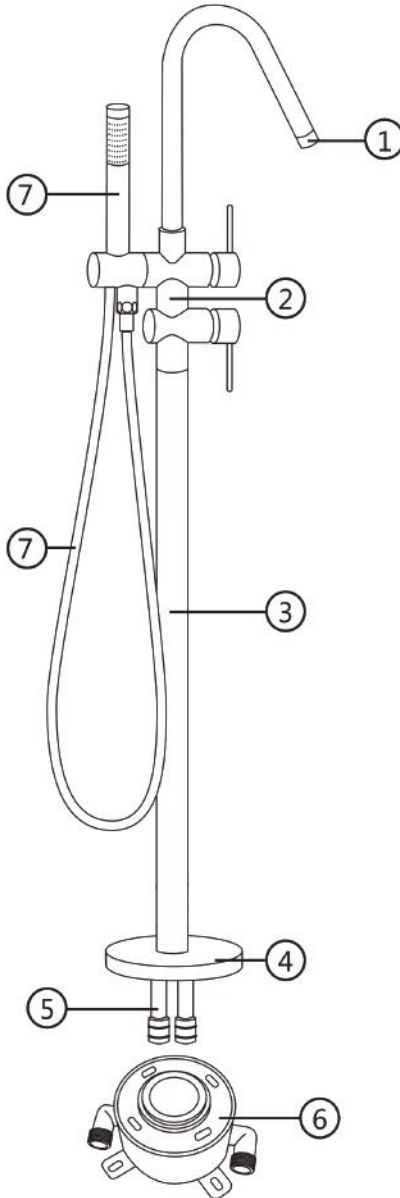


Adjustable wrench

### Cleaning and Care

Care should be exercised when cleaning this product. Although its finish is extremely durable, it can be damaged by harsh abrasives and cleaning pads. To clean, use a light, non-abrasive cleaning solution or cleaning polish.

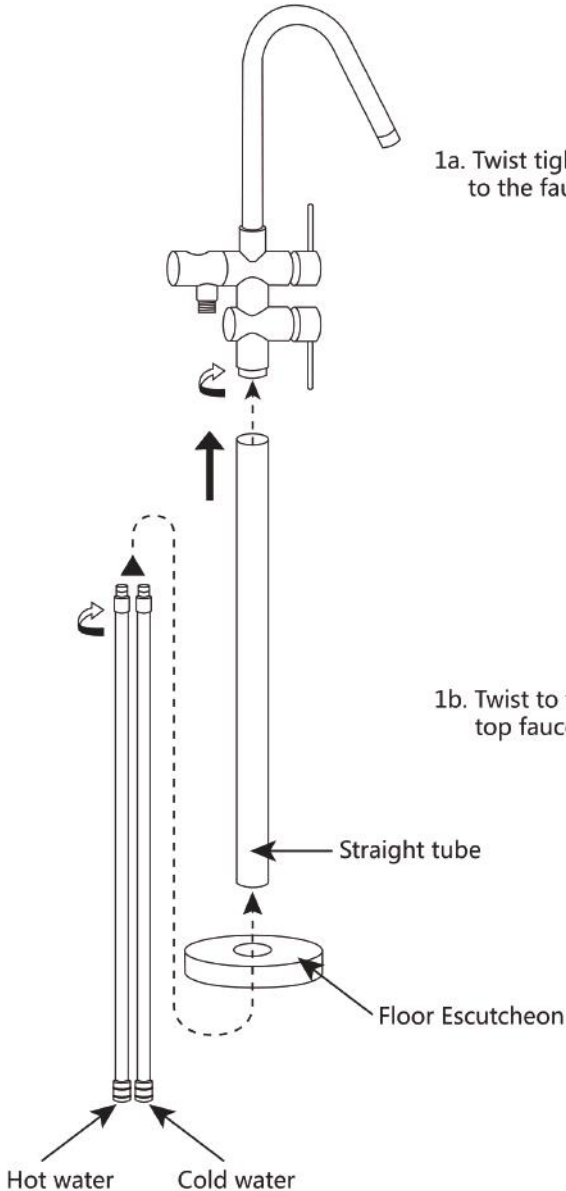
## Product Diagram and Parts



### Accessory List:

1. Tub Filler Spout
2. Body
3. Tube
4. Floor Escutcheon
5. Inter Tube Metal Pipe x 2
6. Conceal Box
7. Hand Shower and Hose

## Faucet Installation Steps



1a. Twist tight to attach inlet tube metal pipe to the faucet.

1b. Twist to tighten the straight tube to the top faucet.

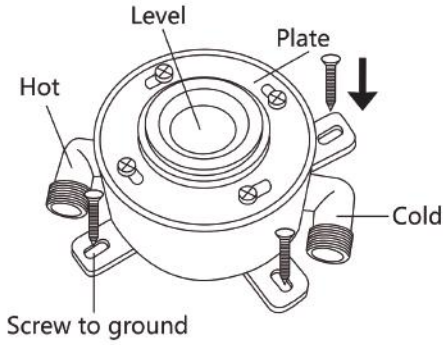
Straight tube

Floor Escutcheon

Hot water

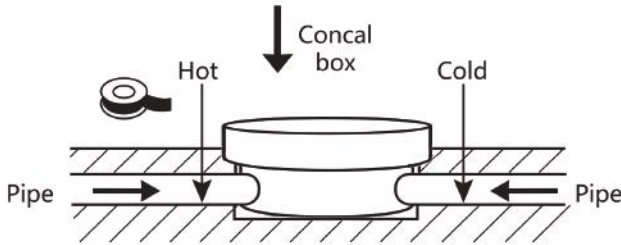
Cold water

# In Floor Box Installation Steps

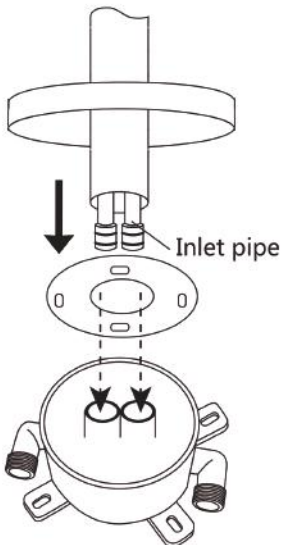


2a. Set the conceal box on the ground, measure with the level provided. Check the level and make sure it is perfectly level with the ground. Then screw the conceal box on the ground.

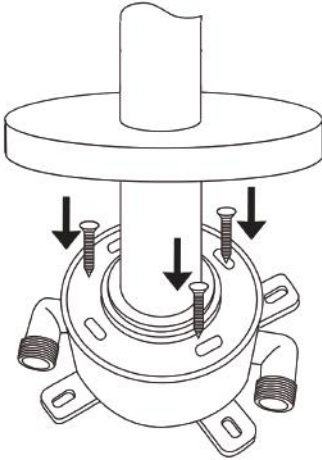
2b. Unscrew the plate. Remove the plate. Knock out the level from the back of plate.



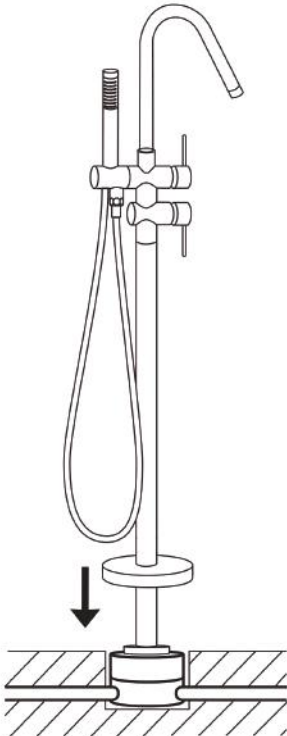
3. Connect hot & cold water form the source to the inlet on conceal box. Warp the threads on the one end of the pipe with pipe taps or teflon tape (not included ). Screw the adapters into the female fittings.



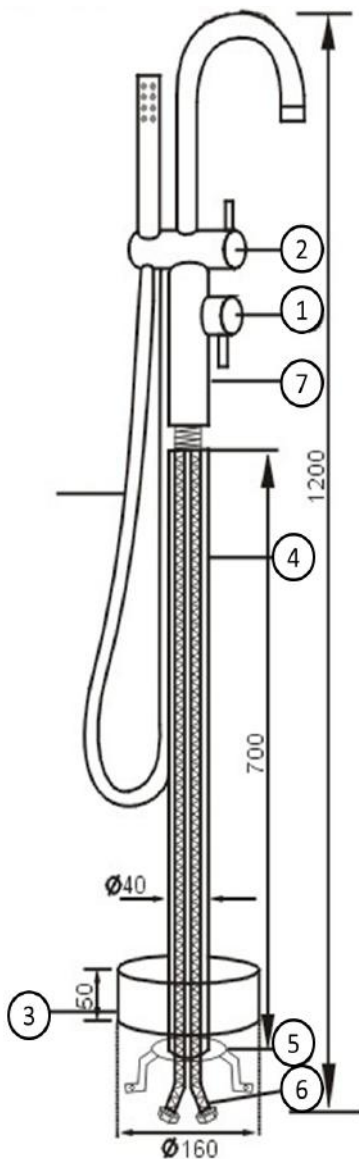
4. Screw the plate on the bottom of the faucet base with the 4 hex screws provided. Insert the whole faucet body to the conceal box. Insert the inlet pipe to the hot and cold outlet tube of conceal box.



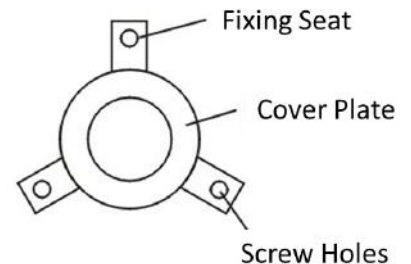
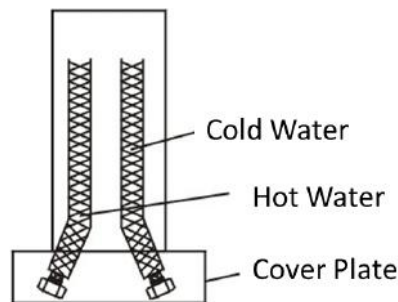
5. Tighten the plate to the conceal box.  
Place the cover.



6. Install the hose to the hand shower and the tub filler. Please check the tub filler spout and hand shower water flow and its function.



1. Insert 3. into 4.
2. Connect 5. to 4.
3. Tighten on 6. to 7.
4. Lock 4. onto 7.
5. Connect Hot and Cold Water
6. Fix the unit to the floor using strong fixings through the screw holes in the base
7. Connect the hand shower and hose



### Important for installation

- ! Mixer must be installed by a licensed plumber
- ! Flush all plumbing prior to connecting the mixer
- ! Install with pressure limiting valves and isolating stop cocks
- ! Maximum water temperature 65°C
- ! Ideal operating pressure: 100 kpa to 500kpa
- ! Not recommended for gravity feed systems

### Care

- ! Do not use solvents, alcohol, chemicals or abrasives as they may irreparably damage the product surface
- ! Wash with soapy water and dry with a soft cloth
- ! For servicing contact supplier