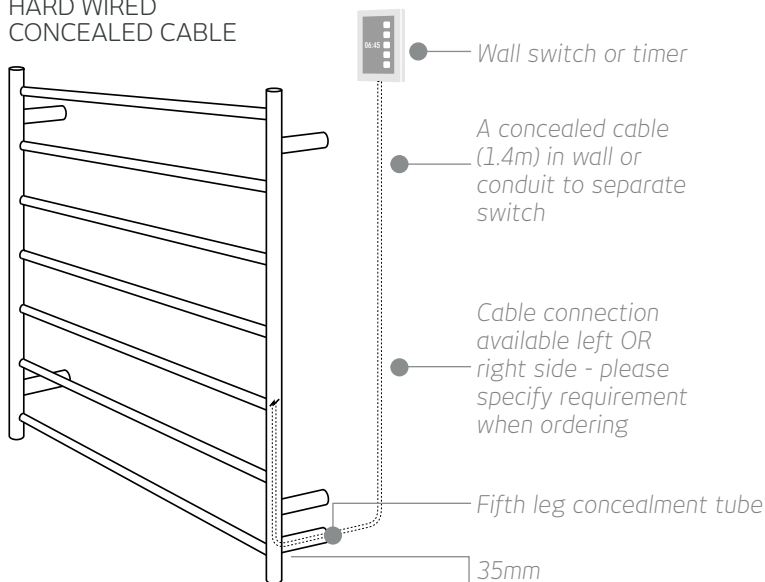
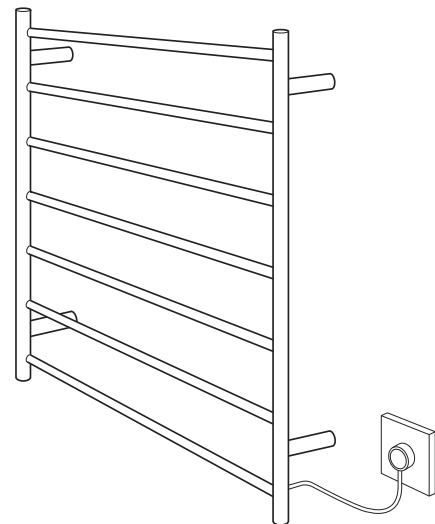


# INSTALLATION INSTRUCTIONS

## HARD WIRED CONCEALED CABLE



## PLUG IN



## PLEASE READ THESE INSTRUCTIONS BEFORE INSTALLATION

The RTR and STR series of heated towel rails are DUAL PURPOSE. Supplied as Plug In with a moulded plug for 'soft wiring' AND also a concealed fixing kit (fifth leg) for 'hard wiring'.

Please see drawings.

For concealed wiring, a provision needs to be made to connect the towel rail via a switch or timer switch.

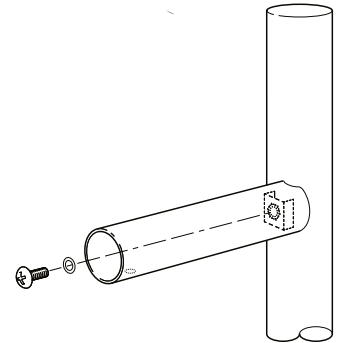
Depending on your preferred switch position the towel rail can be mounted upside down if required.

**NOTE:** Hard wired installation must be carried out by a licenced electrician. The Radiant Towel Rail range are manufactured in accordance with Australian Standards - SAA Certificate of Approval number V07911, with an IP RATING of IP55 and come with a 7 year replacement warranty.

LADDER WIRING  
*options*

## STEP 1

Fix the 4 brackets to the towel rail using the 4 short screws provided, ensuring that the screws are pointing downwards. You will need to tighten the brackets sufficiently so that they sit at 90 degrees to the towel rail.

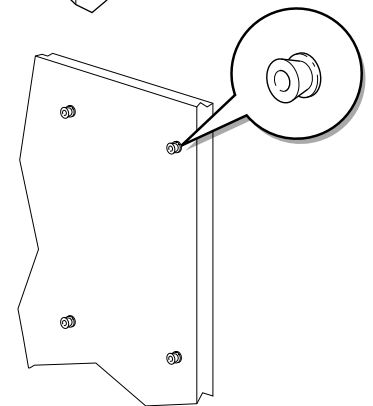
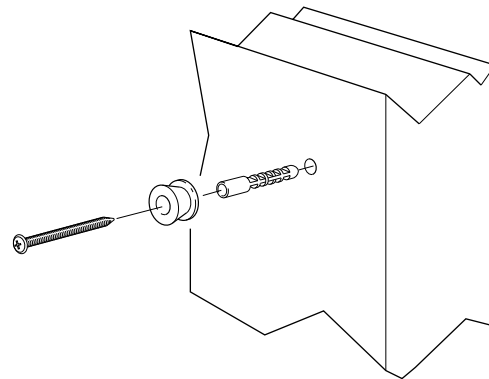


## STEP 2

Hold the towel rail in the required position on the wall and carefully mark the centre of the bracket positions. Use a spirit level to ensure that the marks are level and measure to ensure that they are the correct distance apart.

Drill 4 holes and attach the mounting studs as shown in the diagram.

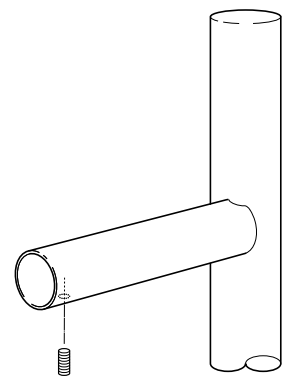
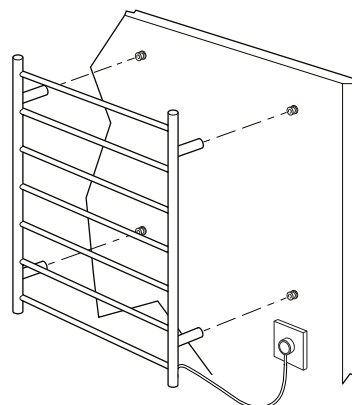
NOTE: The wall plugs provided are designed for brick walls. If you are fixing to timber studs you should use suitable timber screws. If you are fixing to plasterboard, you should use special plasterboard fixings to properly support the weight of the towel rail.



## STEP 3

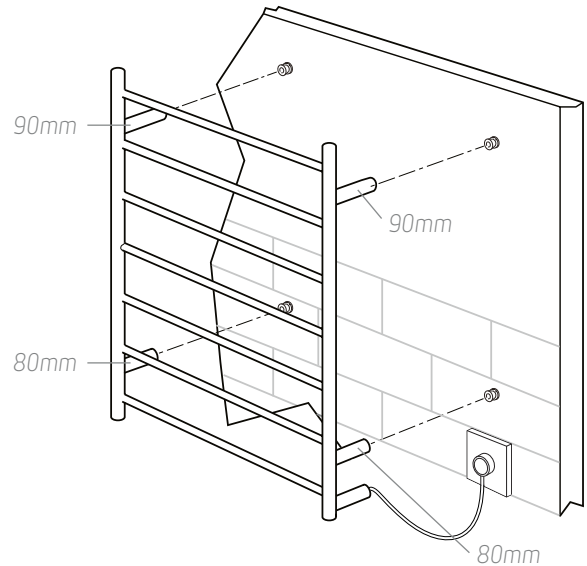
Slide the towel rail over the mounting studs as shown and then tighten the grub screws with the allen key provided.

Once in position the towel rail can be plugged in and used immediately.

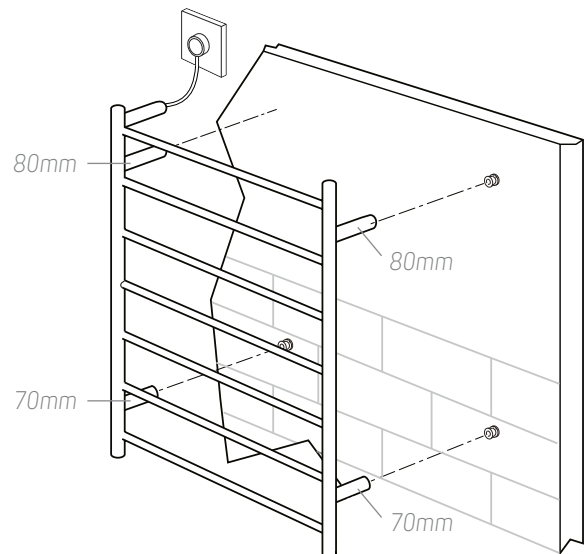


## HALF TILED WALLS

If wired at the bottom, order 2 x 90mm legs  
(10mm longer than standard 80m legs).



If wired at the top, order 2 x 70mm legs  
(10mm shorter than standard 80m legs).



## HARD WIRING OPTIONS

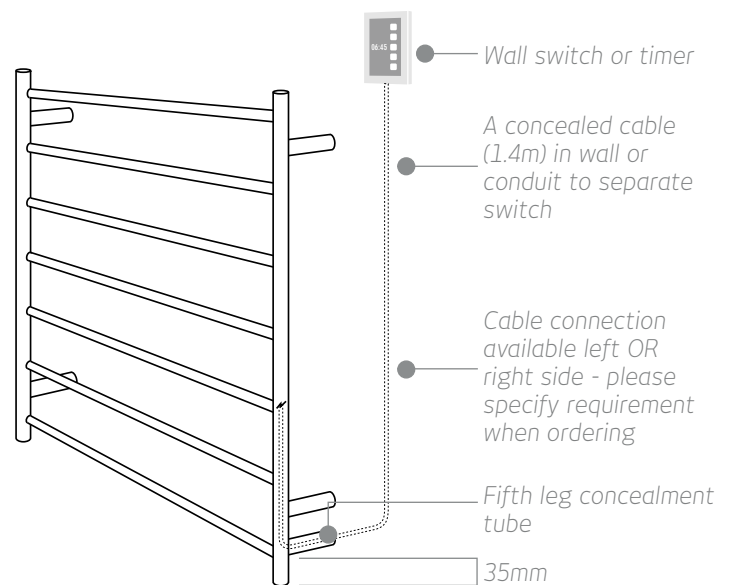
If you choose to hard wire the towel rail to a separate switch, the work must be carried out by a licensed electrician.

To hard wire the towel rail with the cable flex concealed, first remove the 3 pin plug and slide the 5th bracket over the wire.

This bracket is then fixed to the towel rail using the small screw provided.

The cable should then be fed through the conduit in the wall to a separate switch or timer switch - see drawing opposite. If the pre-wiring is already in place, a waterproof heat shrunk junction can be done by the electrician inside the concealment tube.

## HARD WIRED CONCEALED CABLE



## CARE OF YOUR TOWEL RAIL

Radiant heated towel rails are manufactured from stainless steel and it is recommended that you clean them regularly with a soft damp cloth. If you need to use a cleaning product you should only use a product suitable for cleaning a polished stainless steel surface.