



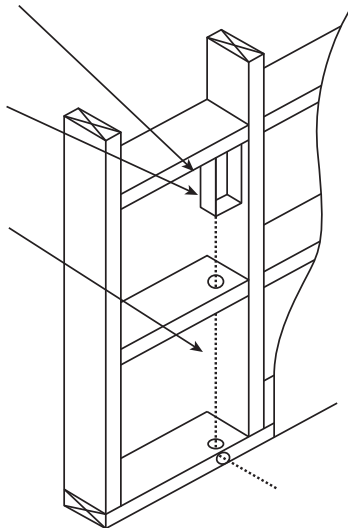
# HotWire™ Heating Prewire Electrical Instructions

---

Mount Plate Vertically.

Provide power suitable  
for load of element  
E.g. 800 watts

Insert draw wire to floor.



There are three things that need to be completed before Hotwire can be installed. This work is not included in the "installation price" of Hotwire.

If this work is not completed before the installer arrives it can significantly delay the installation and incur additional costs.

- 1) Ensure the electrician has installed a **VERTICAL** light switch / power point plate.
- 2) There must be power capable of handling the load of the Hotwire element. The Hotwire thermostat is rated up to 25 amps, so if you are installing a 6000 watt system you will need to install a 30 amp relay in the switchboard.

The Hotwire thermostat will switch the load of all other systems provided.

- 3) A draw wire to the floor level.

If the heating system is "In Screed" this draw wire must be installed under the screed. If the system is "Under Tile" the draw wire must be installed on top of the screed.

If you have any questions about this information please contact Hotwire or your registered Hotwire installer.

# HotWire™ Installers

---

## Victoria

### Melbourne Metro

Laser Electrical Carrum Downs  
1300 340 346

### Albury

Laser Electrical  
03 6023 3600

### Ballarat

Laser Electrical  
03 4333 6900

### Geelong

CIT Solutions  
0419 007 316

### Shepparton

Laser Electrical  
03 5821 2648

## New South Wales

### Sydney Metro

Laser Electrical  
02 9894 4843

### Erina / Gosford

Laser Electrical  
02 9894 4843

## Newcastle

Laser Electrical  
02 4958 1159

## Tamworth

Laser Electrical  
02 6762 2261

## Wollongong

ATD Electrical  
02 4285 6101

## Queensland

### Brisbane Metro

Laser Electrical  
07 3865 6011

### Toowoomba

Laser Electrical  
07 4634 4777

## Tasmania

### Launceston

Laser Electrical  
03 6331 8899

### Hobart

Urban Energy  
03 6244 5051

## South Australia

### Adelaide Metro

A and G Electrical  
0418 898 390

## Western Australia

### Perth Metro

Laser Electrical  
08 8343 8209

## Australian Capital Territory

### Canberra

Laser Electrical Hume  
0417 018 809

### Canberra

Hardwire  
0407 652 005

# Scope of Works

---

The installation price quoted is based on the following scope of works. Any requirements different to this can be negotiated with the Hotwire Installer.

Installation price range is subject to the site being clean and ready for installers to begin work.

It is also subject to prewire being completed. (See overleaf for Prewire requirements)

The Hotwire Installer will 1) Prime the floor for tiling (if required) 2) Install the heating element 3) Lay a protective fibre glass mesh 4) Connect the continuity alarm