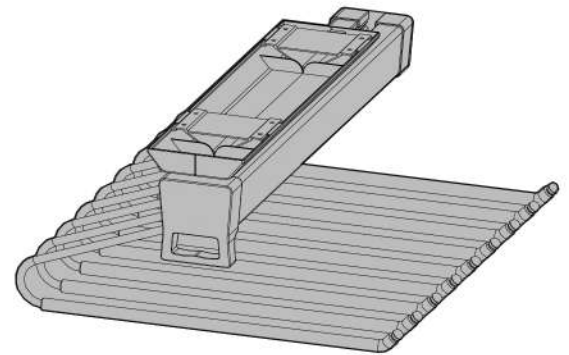
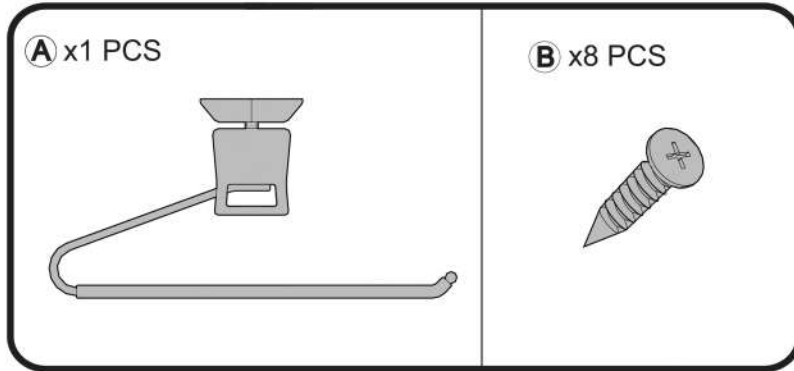


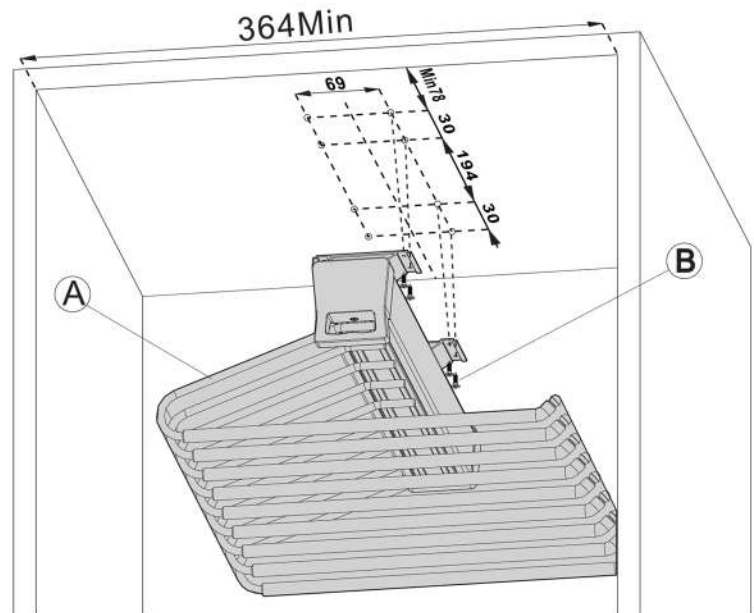
HG-703502-2379, HG-703502S-2123, HG-TRTM-1133

### Parts List



### ▶▶▶ Drilling & Installation

- 1 Drill 8 holes with a diameter of 2.5mm each and affix the rack unit using 8pcs of screw.



### ▶▶▶ Final Steps

- 2 Assemble the upper cover and lock together.

