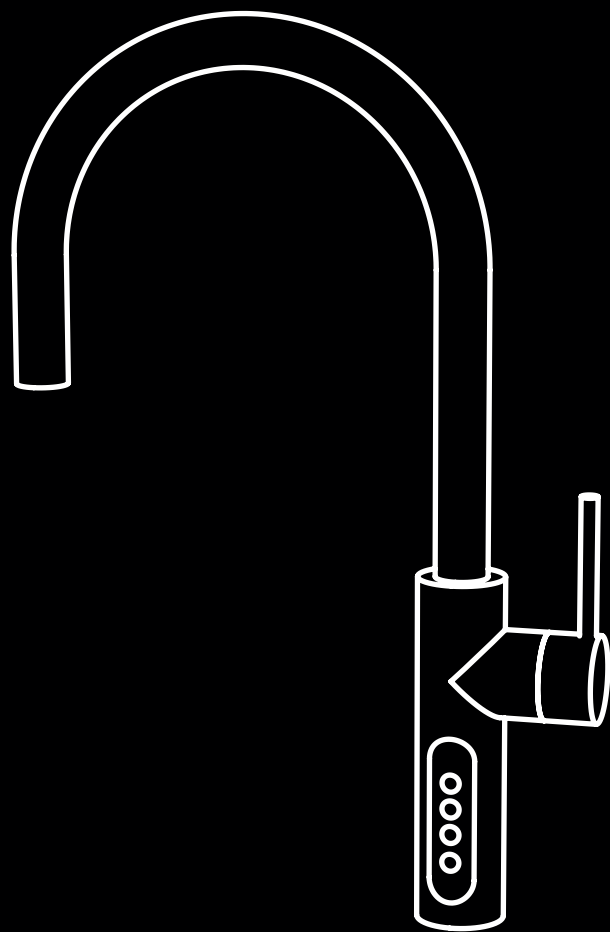


ALIA



ALIA X51 Installation Schematic

X51 Operation





X51

Boiling & Ambient

Installation Schematic

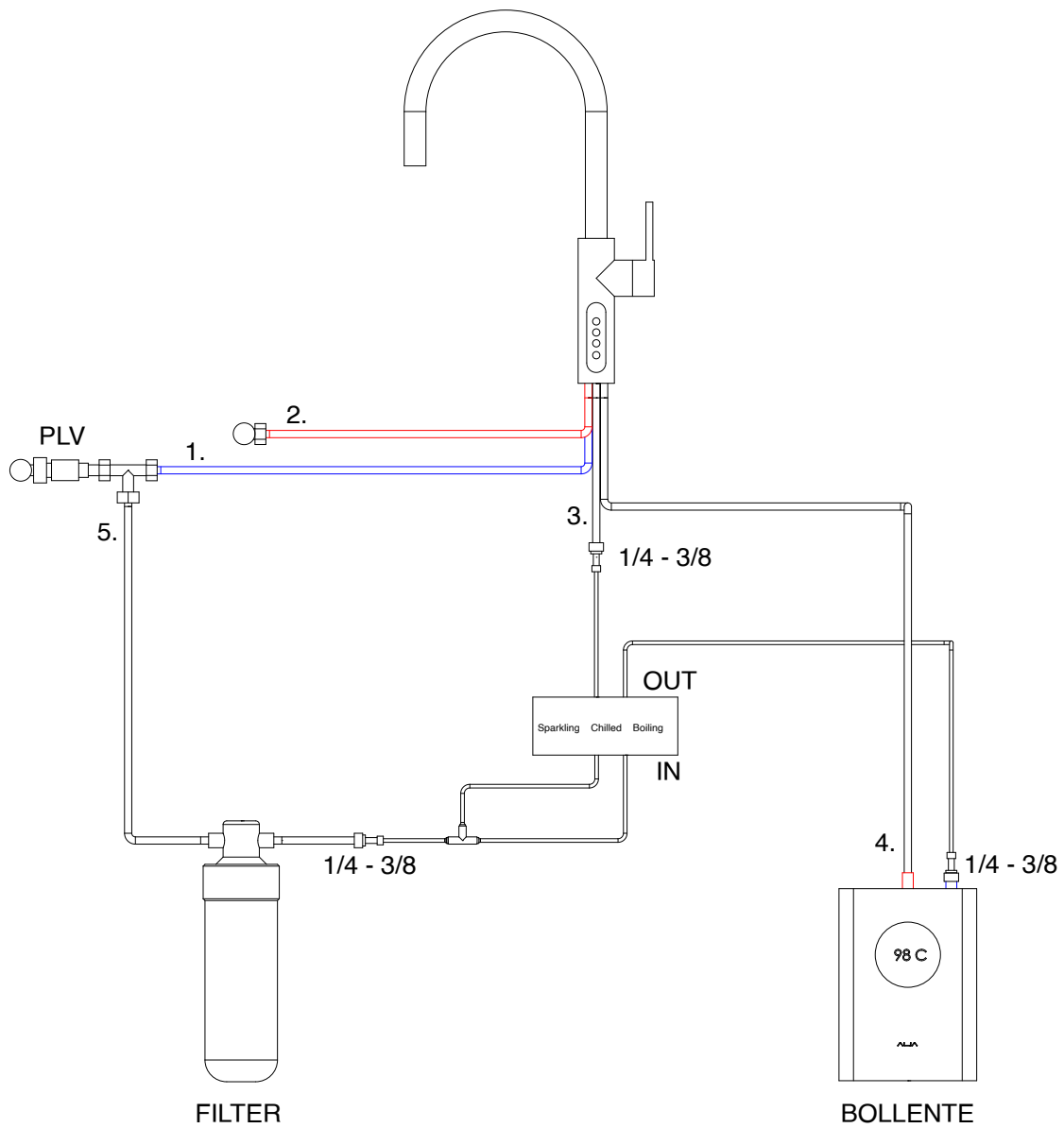
X51 Boiling & Ambient

Applies To Models:

AG-BXNI
AG-BXCH
AG-BXGM

AG-BXMB
AG-BXBG

Front View



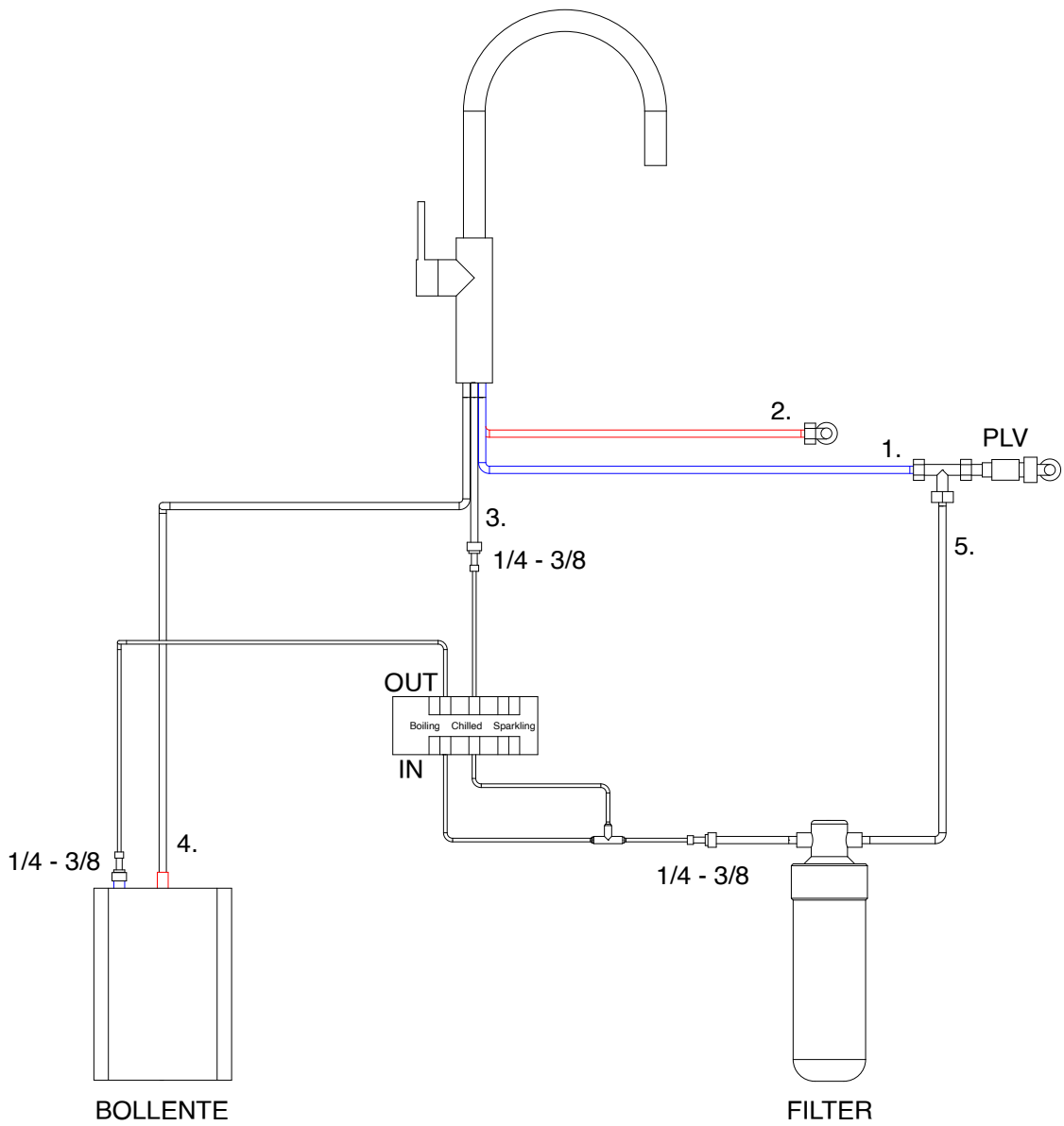
X51 Boiling & Ambient

Applies To Models:

AG-BXNI
AG-BXCH
AG-BXGM

AG-BXMB
AG-BXBG

Rear View



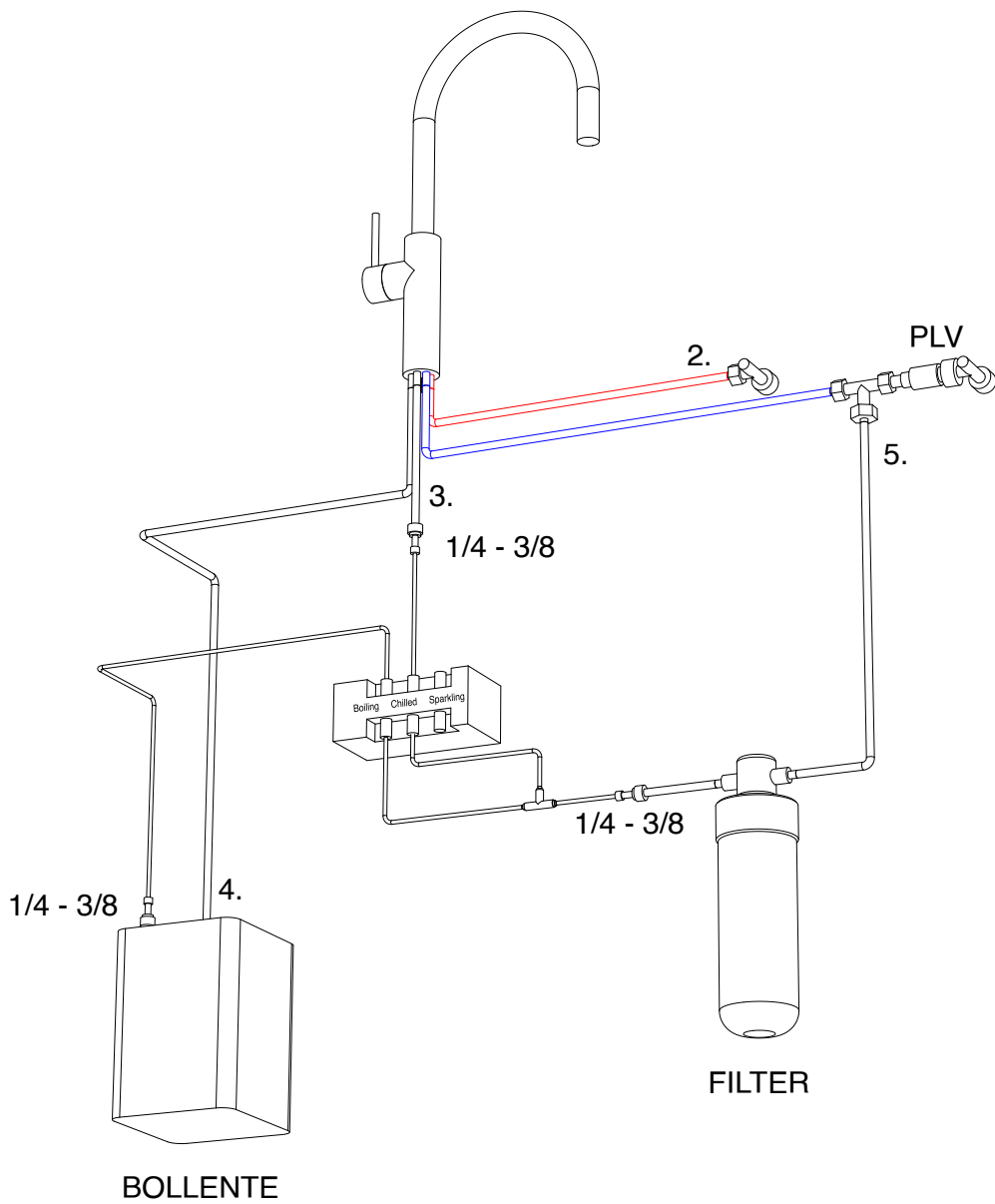
X51 Boiling & Ambient

Applies To Models:

AG-BXNI
AG-BXCH
AG-BXGM

AG-BXMB
AG-BXBG

Isometric View





X51

Boiling & Chilled

Installation Schematic

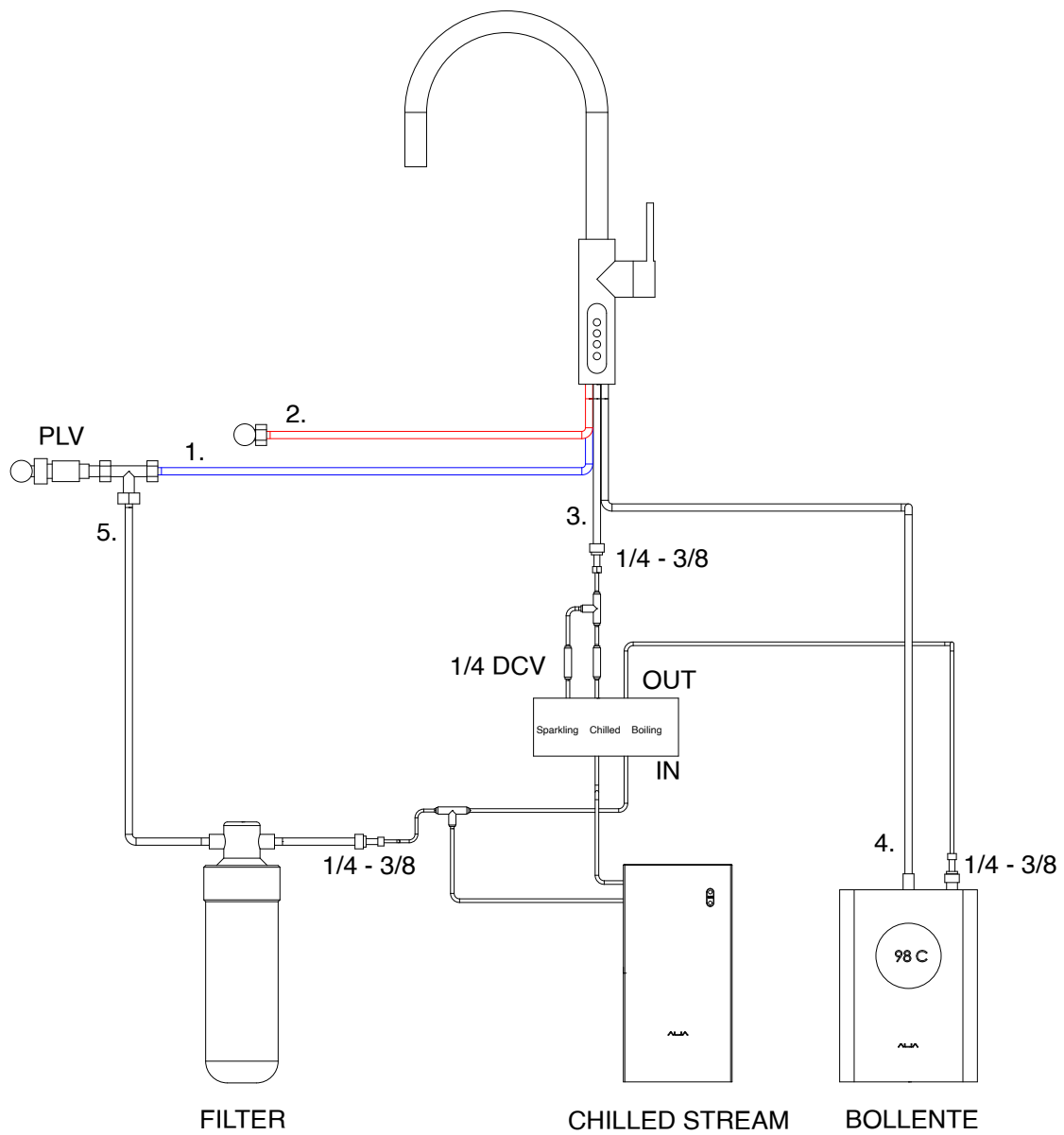
X51 Boiling & Chilled

Applies To Models:

AG-CS101NI
AG-CS101CH
AG-CS101GM

AG-CS101MB
AG-CS101BG

Front View



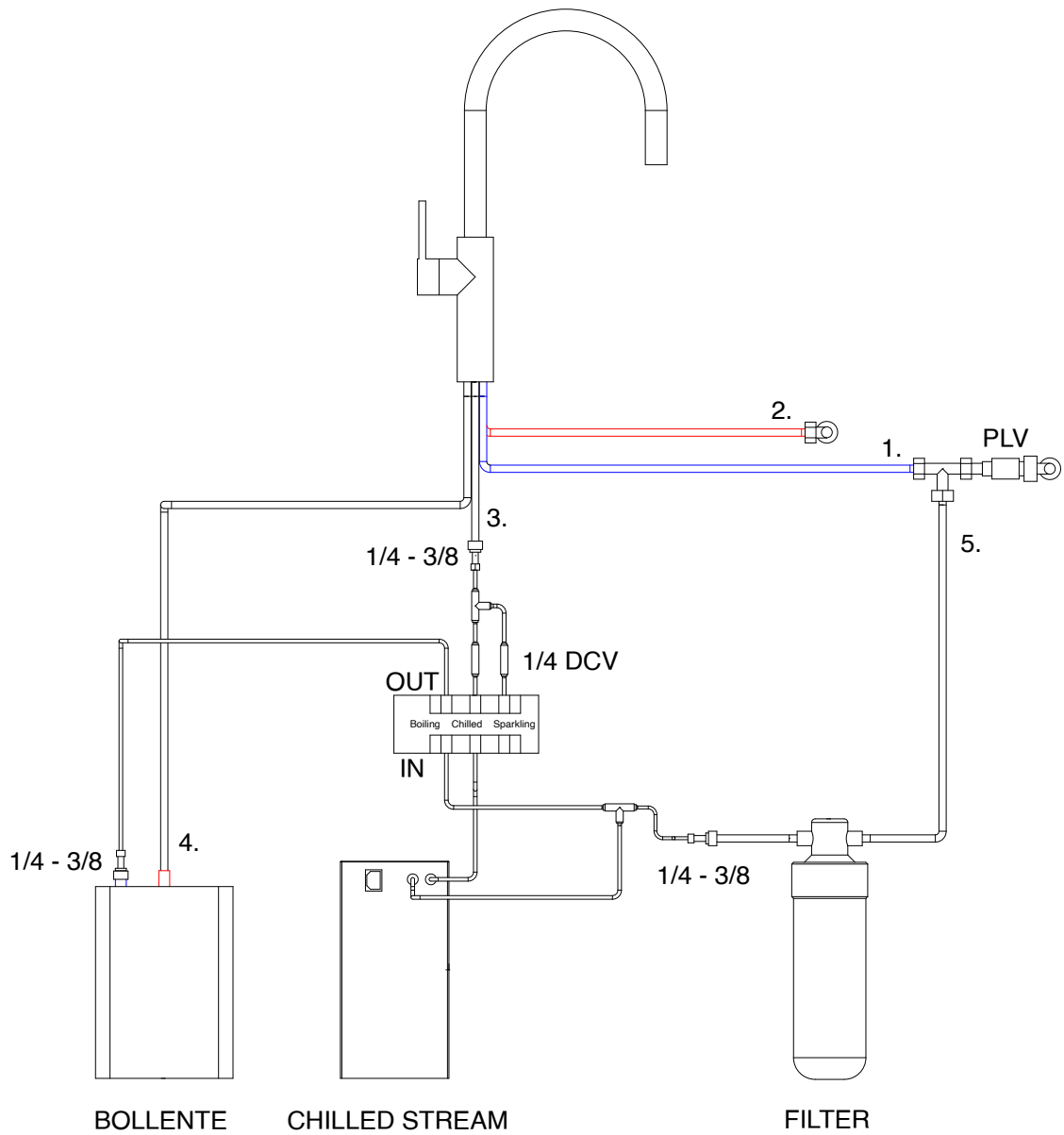
X51 Boiling & Chilled

Applies To Models:

AG-CS101NI
AG-CS101CH
AG-CS101GM

AG-CS101MB
AG-CS101BG

Rear View



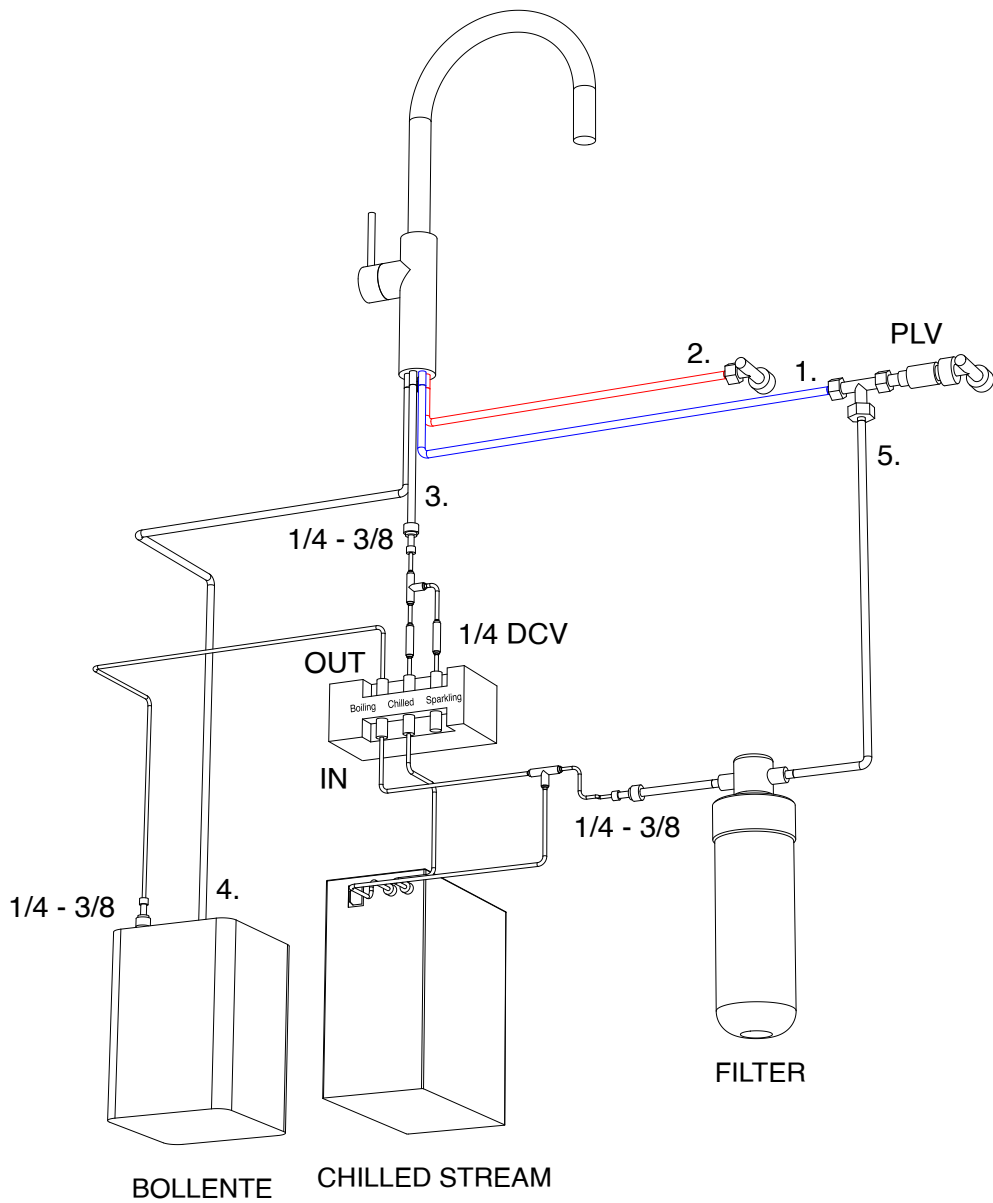
X51 Boiling & Chilled

Applies To Models:

AG-CS101NI
AG-CS101CH
AG-CS101GM

AG-CS101MB
AG-CS101BG

Isometric View





X51

Boiling, Chilled & Sparkling

Installation Schematic

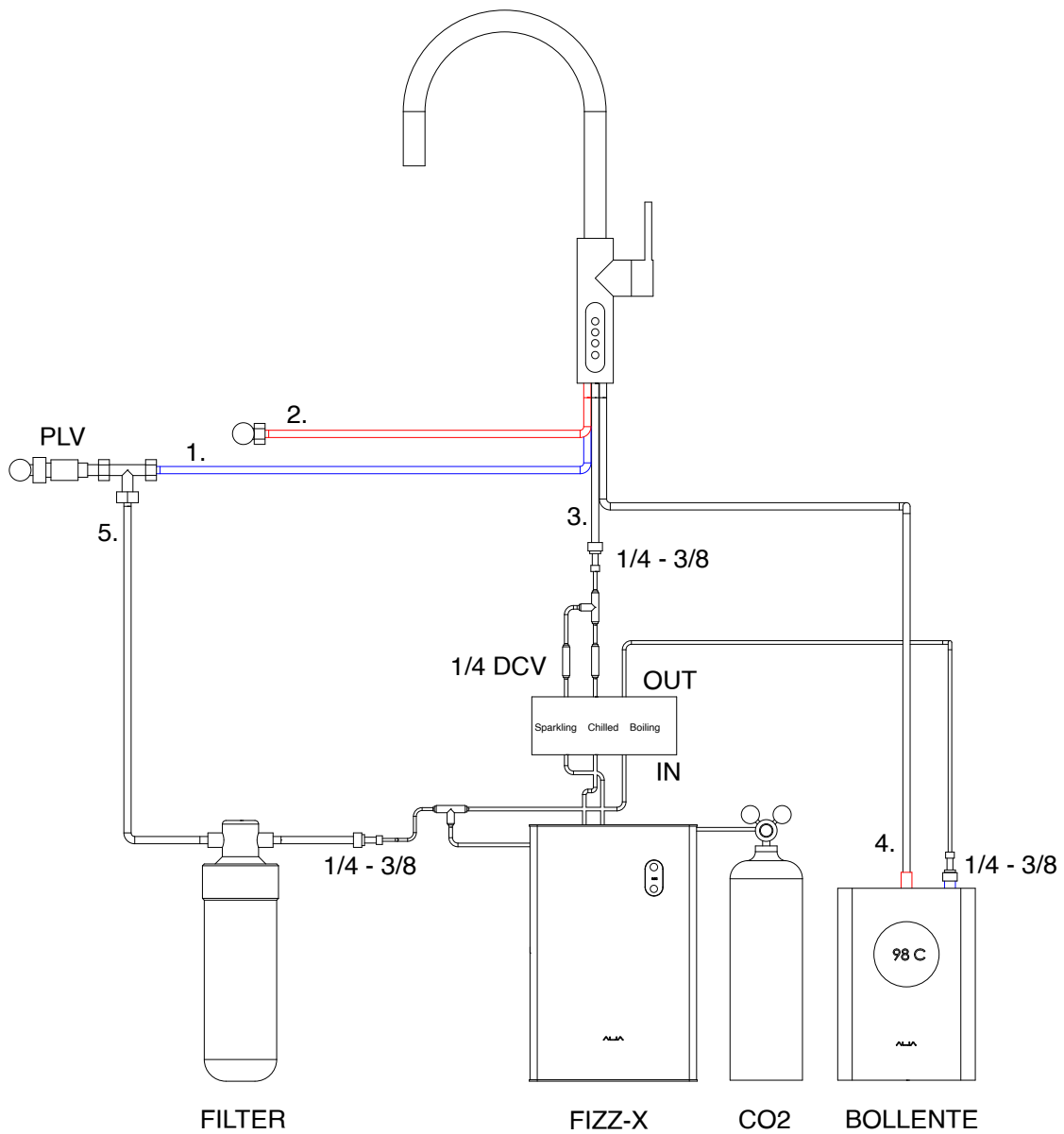
X51 Boiling, Chilled & Sparkling

Applies To Models:

AG-FX01NI
AG-FX01CH
AG-FX01GM

AG-FX01MB
AG-FX01BG

Front View



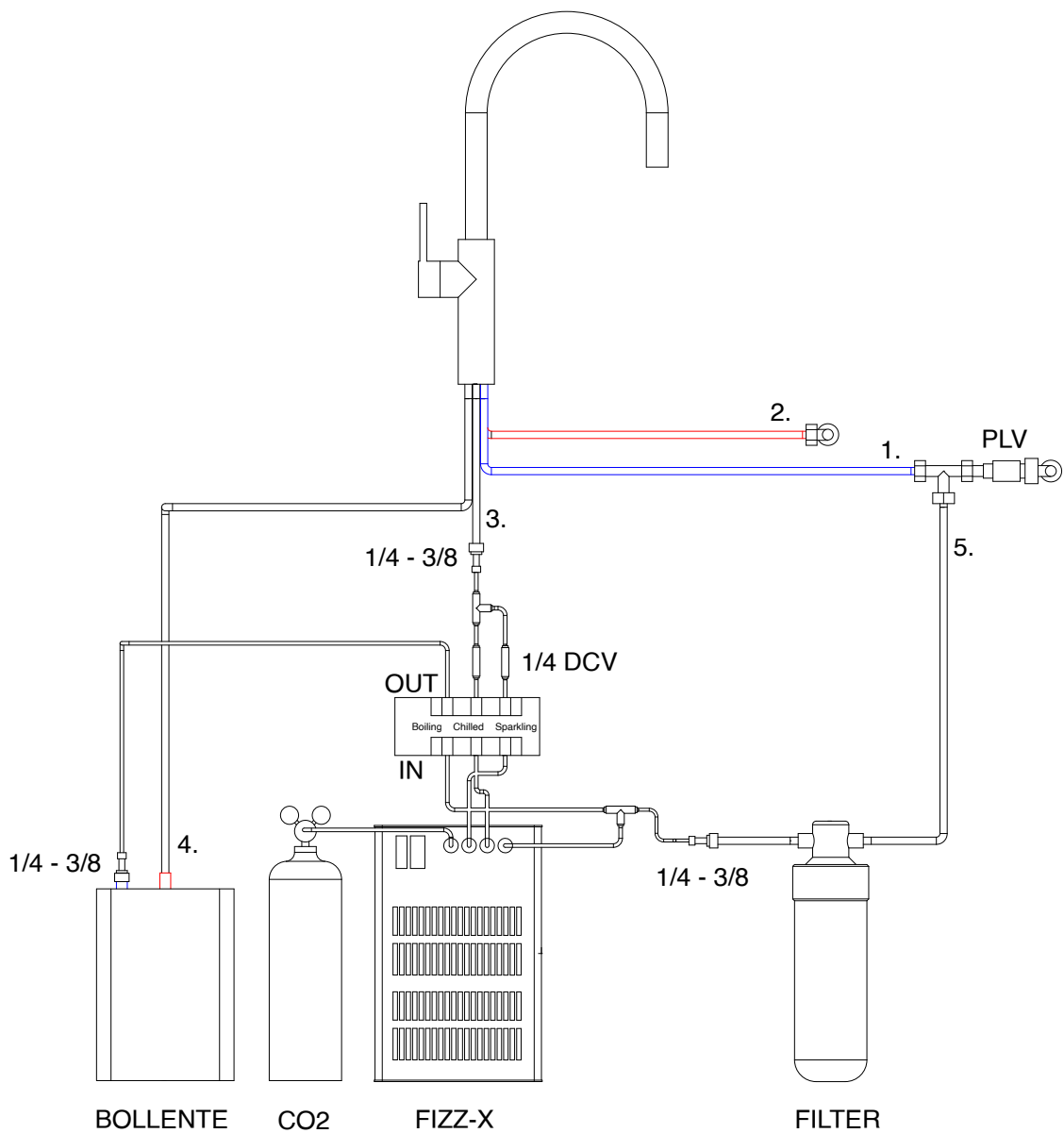
X51 Boiling, Chilled & Sparkling

Applies To Models:

AG-FX01NI
AG-FX01CH
AG-FX01GM

AG-FX01MB
AG-FX01BG

Rear View



X51 Boiling, Chilled & Sparkling

Applies To Models:

AG-FX01NI
AG-FX01CH
AG-FX01GM

AG-FX01MB
AG-FX01BG

Isometric View

