

# Guarantee



Please fill the details in the form below then email the form to [admin@auslock.net](mailto:admin@auslock.net) within 30 days or else full services may not be offered.

Customer Full Name: \_\_\_\_\_

Customer Contact No.: \_\_\_\_\_

Place of Purchase (Store): \_\_\_\_\_

Purchase Date: \_\_\_\_\_

Product Name: \_\_\_\_\_

Product Model: \_\_\_\_\_

1) Please do not lose this card just in case you might need it for warranty service.

2) We provide you with a one-year warranty from the date of purchase.

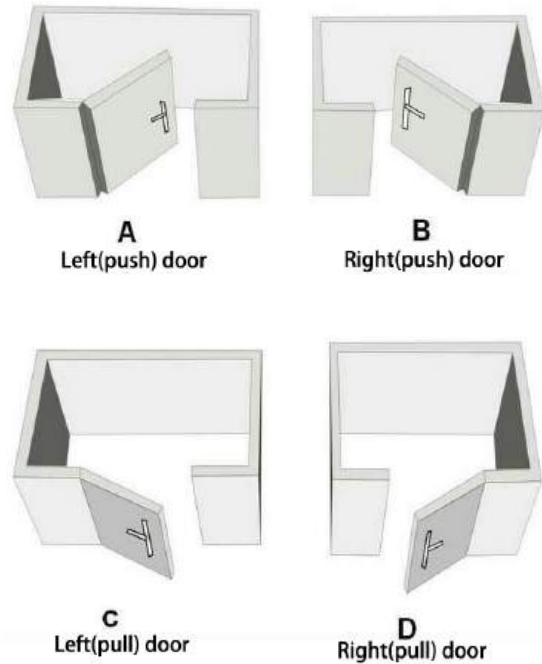
Visit [www.auslock.com](http://www.auslock.com)

3) This warranty service is valid for customers in any country.



## Door Lock Instruction Manual USmart Go Version

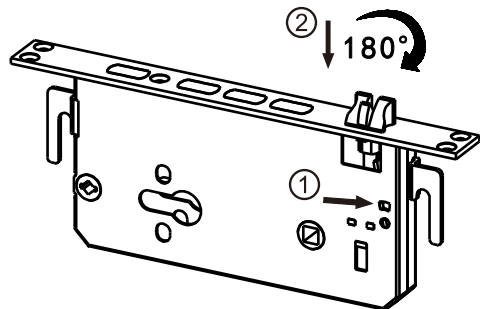
## 1. Confirm the door opening direction



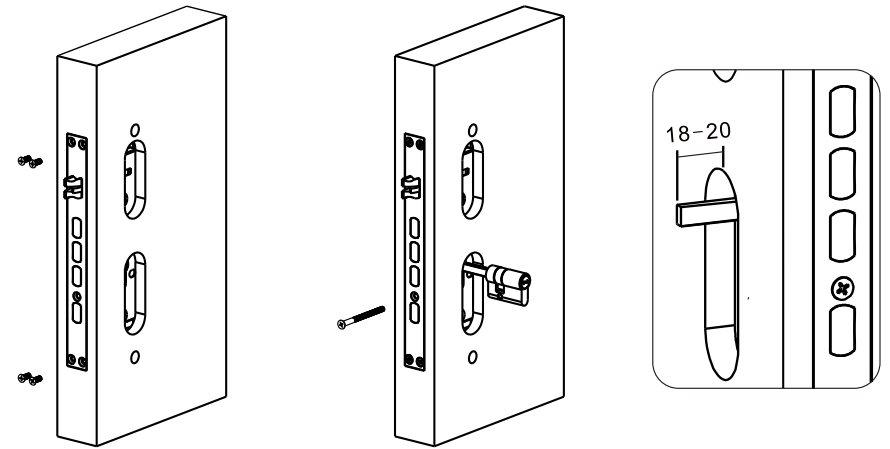
## 2. Adjust the Door Lock direction

Activate the lock, \*+#+Admin#+3.Install+1.Motor+1.Left/2.Right

## 3. Adjust the mortise direction



## 4. Mortise and Cylinder Installation

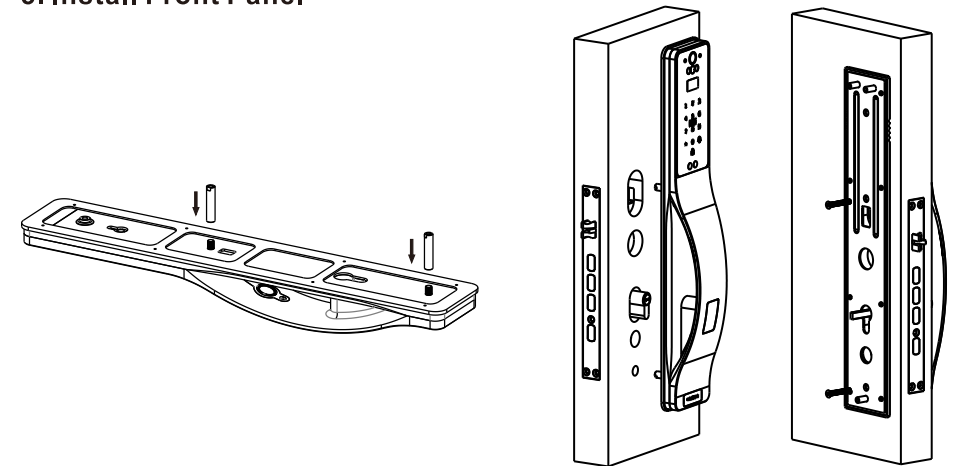


4.1- Insert the mortise into the door, and fixed by screws.

4.2- Install the cylinder into the mortise, and tighten the cylinder screw.

Note: Ensure the cylinder ruler extend the surface of door 18-20mm.

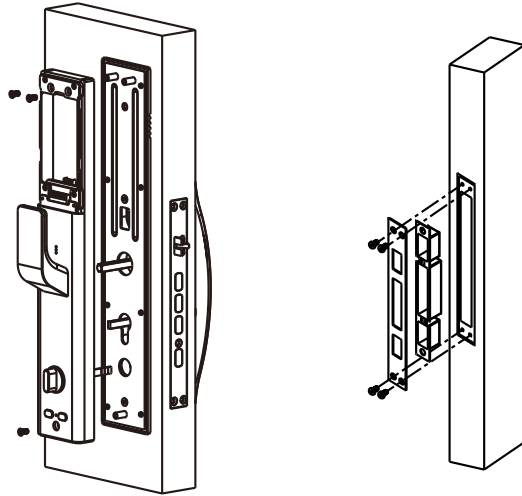
## 5. Install Front Panel



5.1- Install the studs on the bottom plate of front panel.

5.2- Pass the wire through the door hole from outdoor, assemble the front panel with bottom plate of back panel, and fixed with screws.

## 6. Back Panel and strike plate&box Installation

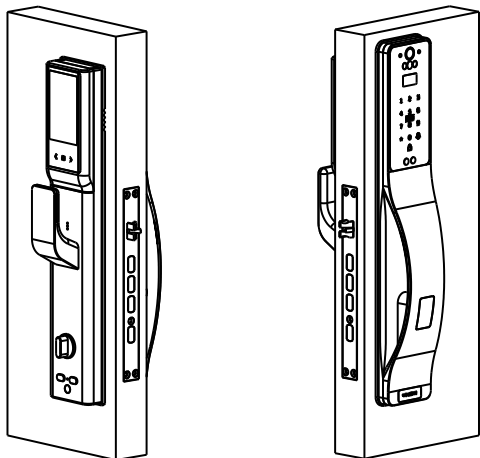


6.1- Connect the back panel wire with front panel, insert the spindle, cylinder, and knob ruler into the corresponding holes.

6.2- Fixed the back panel with screws, and install the lithium battery, then battery cover.

6.3- Install the strike box and strike plate with screws.

## 7. Installation Finished



## 1. Advantages and specifications

- Space aluminum material.
- Support messy codes input.
- Bio-semiconductor fingerprint sensor.
- Unlocking ways: Face, palm vein, fingerprint, code, card, key and USmart Go APP.
- Continuously input 5 times wrong user, the system will alarm and lock 90 seconds.
- Please keep mechanical key outside room for emergency use.*

## 2. Technical parameters

Total Capacity	Max 300 users. No.001-009 are Admin users, No.010-300 are normal users.
Face & Palm Capacity	Max 100 users
Fingerprint Capacity	Max 100 users
Code & Card Capacity	Max 300 users
Power Supply	Lithium battery
Low Voltage Alarm	Voltage is below 6.5V
Back up power	Type C back up power interface

## 3. Functions and operations

### 3.1 Initial State

Any face, palm vein, fingerprint and card can unlock.

Initial unlock password is "123456".

Enter the setting system to add the first Admin password for your first time using.

### 3.2 Enter setting mode

Input "\*" + "#" to enter setting mode. After that,

"#" will be regarded as "OK" or Function Key. "\*" will be regarded as "Back".

### 3.3 Factory reset

\*Note: The initial unlock password will be restored to "123456".

Way 1: Press the reset button on the back panel for 6 seconds, and press # to confirm.

Way 2: Press \* + # + Admin# + 1 + 3 + 4 + 3 + # to confirm.

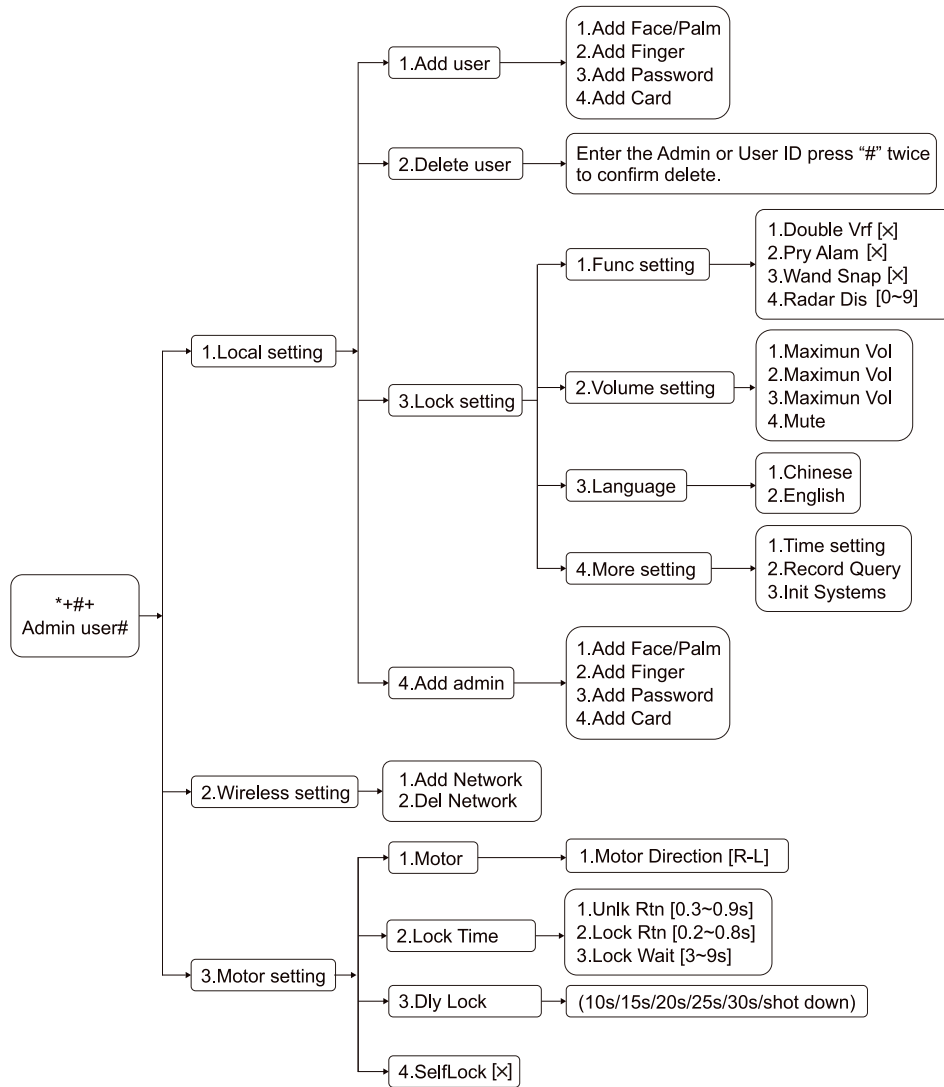
### 3.4 Lock functions setting

\*Note: In the initial status, need to input Initial unlock password is "123456" and then add Admin password.

Input "\*" + "#" or push the reset button on the back panel, input Admin code# to enter setting menu.

- Local setting
- Wireless setting
- Motor setting

### 3.5 Below is the details of Functions Menu in different directories



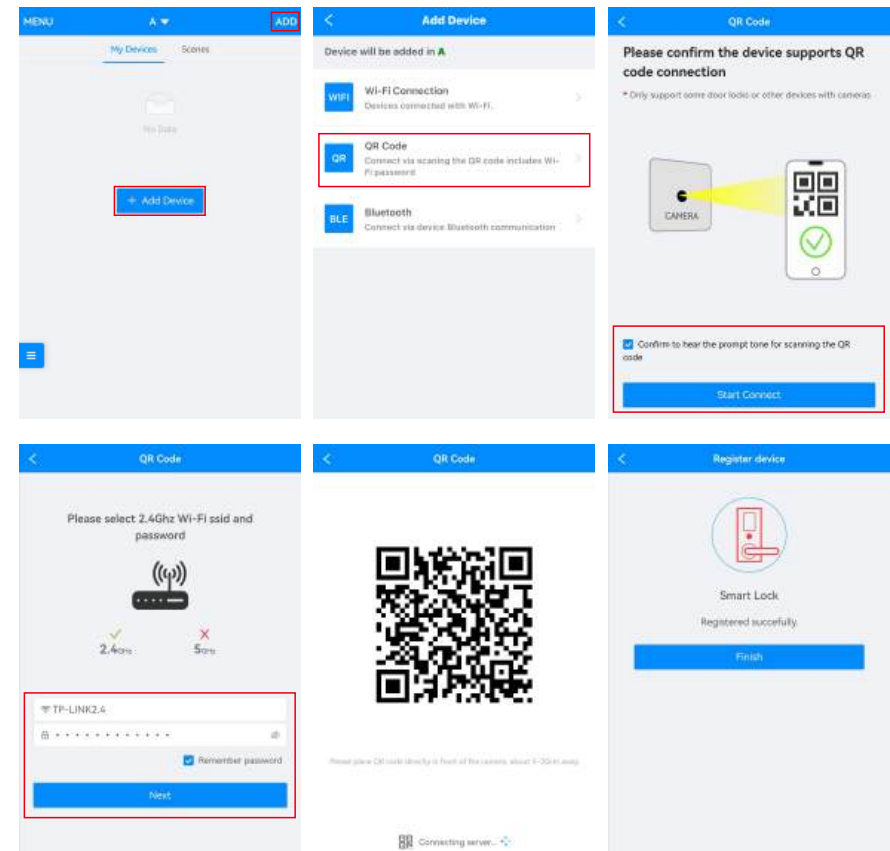
#### Remarks:

- There are up to 9 Admin users available in the lock.
- The password can be 6 to 12 digits.
- Regist face user with different angle according to the voice prompt.  
Add plam vein 1 time to register.  
Place the fingerprint on the sensor for 4 times to register.  
Input the password and press "#" to confirm for 2 times.  
Read the card 1 time to add.

## 4. APP Instruction

### 4.1 Add door lock

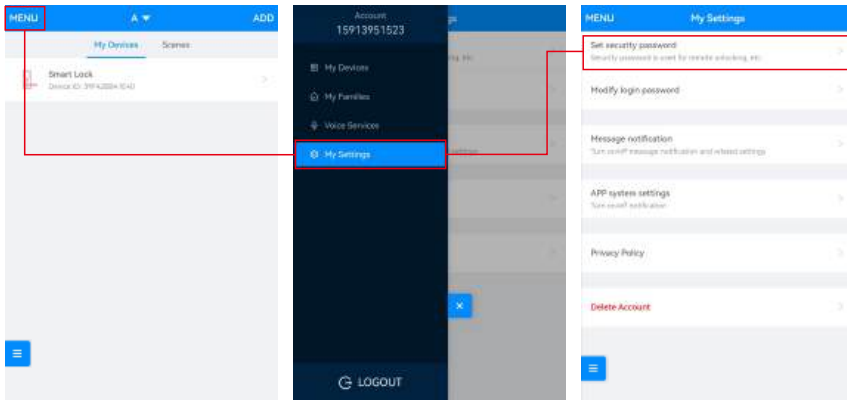
- Download "Usmart Go" APP, regist and login.
- Click "Add Device" or click "ADD" at top right corner to get into the adding page.
- Choose "QR Code", connect via scanning the QR code includes Wi-Fi password.
- Activate the lock, press "\*" + "#" + Admin user + "2+1" to hear wireless pairing.
- Tick "Confirm to hear the prompt tone for scanning the QR code", click "Start Connect".
- Select a 2.4GHz Wi-Fi network, enter your Wi-Fi password.
- Click "Next", put your phone 5-20cm from the camera and align the QR code and before you move away after hearing "Connecting network".
- Device added successfully.



## 4.2 Remote unlock via APP

### 4.2.1 Set remote unlock password.

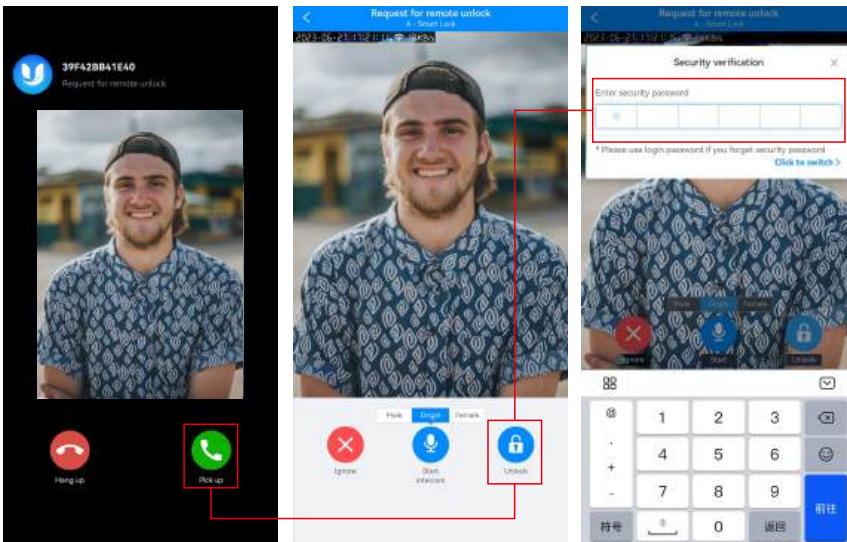
Menu - My setting - Set security password



### 4.2.2 Request remote unlock by press Door Bell on the lock, click "Pick up" to check the real time status in front of the door.

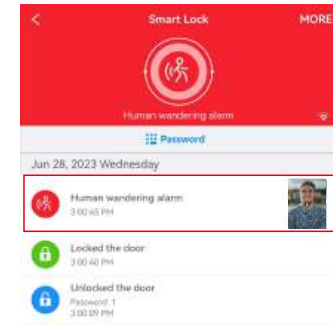
Switch the Camera on the mobile phone APP by click the Screen.

Active the Camera on the lock directly by click "Tap to view" on the phone.



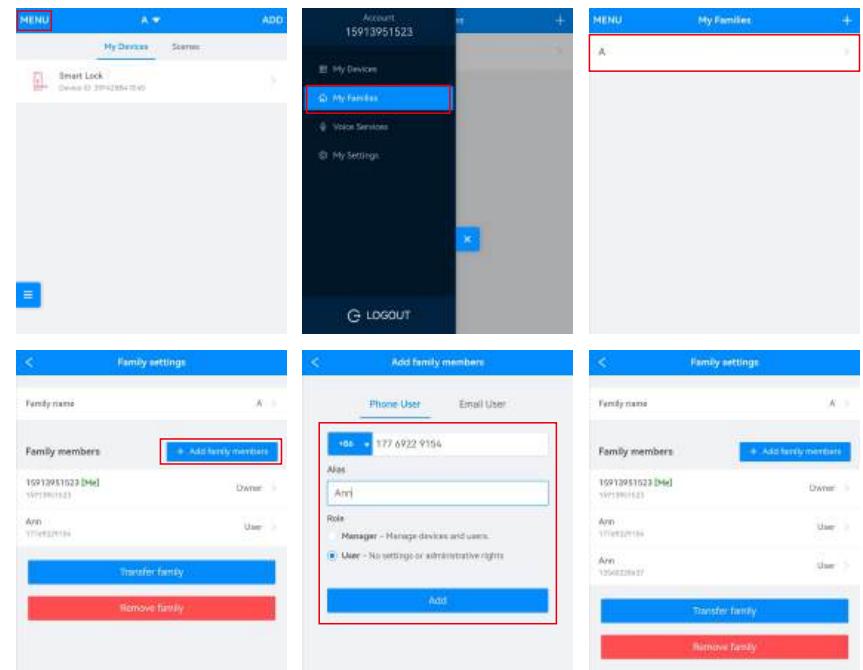
## 4.3 Human wandering alarm

When the human body sensor recognizes 3 times invalid users, the APP will prompt human wandering alarm.



## 4.4 Member management

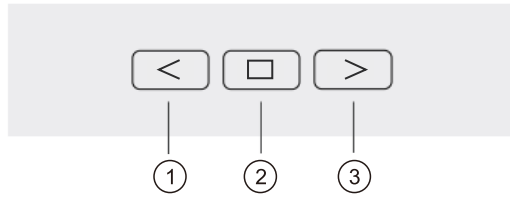
\*Note: Add family member via USmart Go account.



#### 4.5 Camera Operating Instructions

**Please insert memory card on the camera for recording function.**

There have 3 buttons on the back panel for Camera operation.



Remark:

① Left / Up

② Power button / Turn off / OK

③ Right / Down

#### 4.6 Camera Operation

To switch the Camera

Activate the monitor by press ②

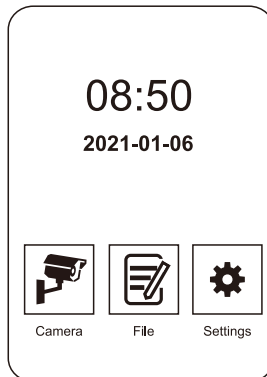
Press ② change to view front camera,baek camera and both camera.

#### 4.7 Function setting

To enter Menu

Way 1 : Press the doorbell on the front panel to turn on the Camera, press ③ to enter the Menu.

Way 2 : Press ② on the back panel to turn on the Camera, press ③ to enter the Menu.



4.7.1 "Camera" sub-menu, Enter by press Door Bell or press ② button, view outside door status.

4.7.2 Enter the "File" sub-menu, to check pictures records.

4.7.3 Enter the "Settings" sub-menu for Camera system setting, press ①③ up and down to select the item need to be modified, then press ② to enter or confirm the modified item. After the modification is completed, long press ② to exit the setting menu, and long press again to turn off the Camera.

