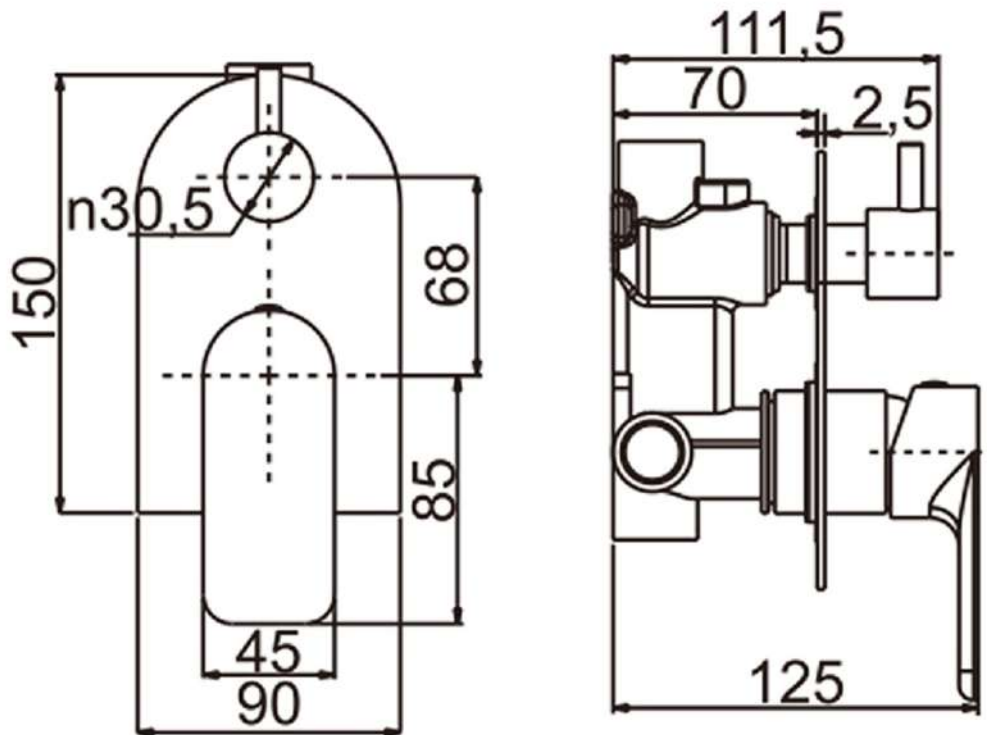


WALL MIXER WITH DIVERTER



SPECIFICATIONS

Recommended use	Domestic, hotel and commercial
Colour availability	Chrome / Black
Pressure rating	Maximum operating pressure 1000kPa Note: For best performance and longer life we recommend 300-800kPa
Temperature rating	Maximum hot temperature 80°C, Min 5°C
Suitable Hot Water	Storage tank: Yes
Units	Continuous flow: Yes Gravity Feed: Not recommended
Standards	AS/NZS 6400

CLEANING RECOMMENDATIONS

This product should not be cleaned with abrasive materials. Damage caused by any improper treatment is not covered by the product warranty - refer to Warranty Conditions on the last page.

Disclaimer: Products in this specification manual must by regulation be installed by licensed and registered trade people. The manufacturer/distributor reserves the right to vary specifications or delete models from their range without prior notification. Dimensions are nominal measurements only. Dimensions and set-outs listed are correct at time of publication however the manufacturer/distributor takes no responsibility for printing errors.