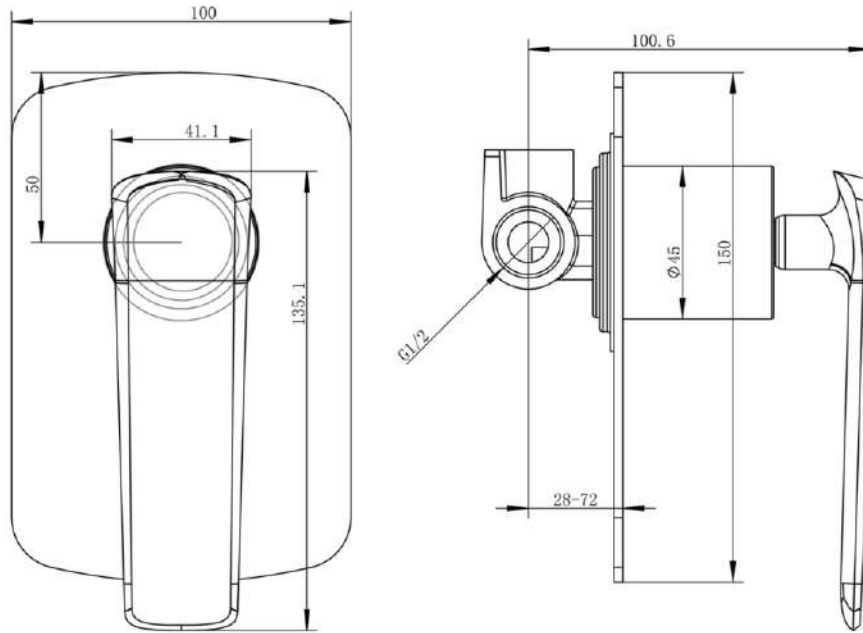


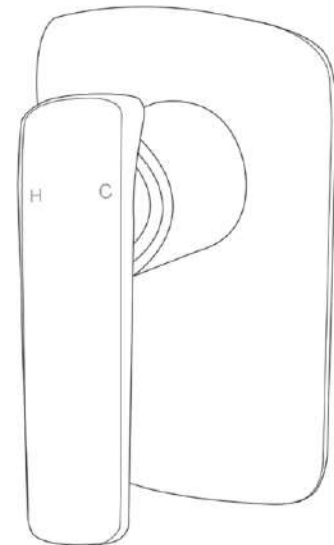
# NORICO

## WALL MIXER



### SPECIFICATIONS

Recommended use	Domestic, hotel and commercial
Colour availability	six colors availability
Pressure rating	Maximum operating pressure 1000kPa Note: For best performance and longer life we recommend 300-800kPa
Temperature rating	Maximum hot temperature 80°C, Min 5°C
Suitable Hot Water	Storage tank: Yes
Units	Continuous flow: Yes Gravity Feed: Not recommended
Standards	AS/NZS 6400



## CLEANING RECOMMENDATIONS

This product should not be cleaned with abrasive materials. Damage caused by any improper treatment is not covered by the product warranty - refer to Warranty Conditions on the last page.

Disclaimer: Products in this specification manual must by regulation be installed by licensed and registered trade people. The manufacturer/distributor reserves the right to vary specifications or delete models from their range without prior notification. Dimensions are nominal measurements only. Dimensions and set-outs listed are correct at time of publication however the manufacturer/distributor takes no responsibility for printing errors.

## WALL MIXER

### INSTALLATION INSTRUCTIONS:

Do not remove the ceramic cartridge from the body assembly while carrying out the following adjustments.

Note: The cartridge is factory set for maximum temperature.

1. 50mm minimum wall cavity space is required for this product, leave plastic covers in place during the installation.
2. Position mixer body against vertical support with the front edge of mounting bracket flush with front of the vertical support.
3. Flush all pipe-work thoroughly prior to the next step, connect hot and cold supplies and outlet to mixer body ensuring a good seal at each joint. Leak test installation prior to closing wall cavity.
4. Remove the plastic covers. Slide the cover plate onto mixer body, push the handle onto cartridge lever and tighten grub screw firmly with the hex key provided.

### Importance:

It's the responsibility of the installer to ensure a water proof seal is achieved between the faceplate and finished surface of the wall. If in any doubt about the quality of the seal the faceplate should be removed and then reinstalled using silicon to ensure a seal is achieved.

### Technical Specifications:

Inlet Connections: All 1/2" BSP

Operating Pressure: 150kPa-1000kPa

Operating Temperatures: Recommended hot water supply 50 °C maximum 70°C,

As 3500 requires all hot water to any fittings to be tempered to 50°C

