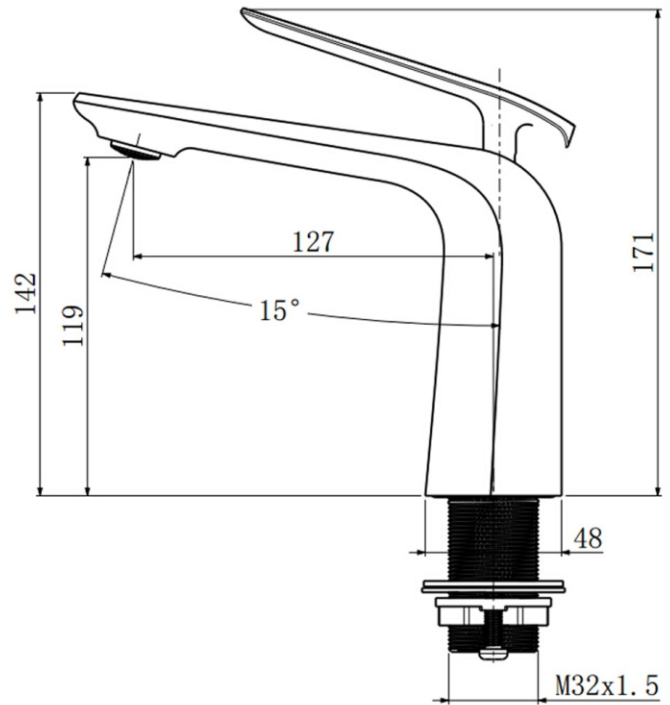
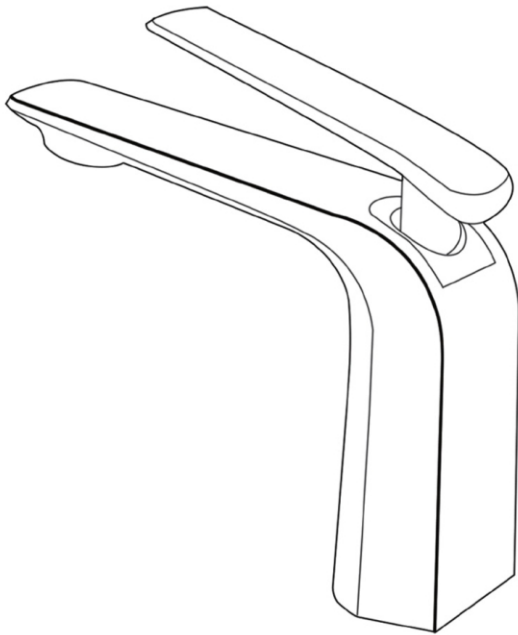


NORICO

BASIN MIXER



SPECIFICATIONS

Recommended use	Domestic, hotel and commercial
Colour availability	Six colors availability
Pressure rating	Maximum operating pressure 1000kPa Note: For best performance and longer life we recommend 300-800kPa
Temperature rating	Maximum hot temperature 80°C, Min 5°C
Suitable Hot Water	Storage tank: Yes
Units	Continuous flow: Yes Gravity Feed: Not recommended
Standards	AS/NZS 6400

CLEANING RECOMMENDATIONS

This product should not be cleaned with abrasive materials. Damage caused by any improper treatment is not covered by the product warranty - refer to Warranty Conditions on the last page.

Disclaimer: Products in this specification manual must by regulation be installed by licensed and registered trade people. The manufacturer/distributor reserves the right to vary specifications or delete models from their range without prior notification. Dimensions are nominal measurements only. Dimensions and set-outs listed are correct at time of publication however the manufacturer/distributor takes no responsibility for printing errors.



BASIN MIXER

INSTALLATION INSTRUCTIONS

Important Note:

Mixer must be installed to the requirements of AS/NZS 3500 by a qualified plumber. Your mixer comes to you already factory assembled and tested. We do not recommend the dismantling of any internal part of the mixer. The mixers are factory tested and sealed so as to give the best performance.

Installation Procedure

Refer to the diagram at above.

1. A single 35mm diameter hole is required in the mounting surface. The mounting surface can be a maximum of 40mm thick.
2. Insert the O-ring into the bottom of mixer, and fit the mixer to the mounting surface.
3. Insert the flexible hoses through the hole into the Lock nut (from the underside) and screw them into the base of the mixer by hand.
4. Fit the Lock nut onto the mixer through the hole under the mounting surface.
5. Tighten the mounting nuts to the mixer in place
6. Connect the flexible hoses to the hot and cold supplies . It's a condition of our warranty that the filter washer was supplied be fitted at this.

The maximum working pressure of the ceramic cartridge is 1000kPa.
Do not hydrostatic test the installation with this mixer installed. Damage the ceramic cartridge may occur, voiding our warranty

Hose Requirements for mixer

