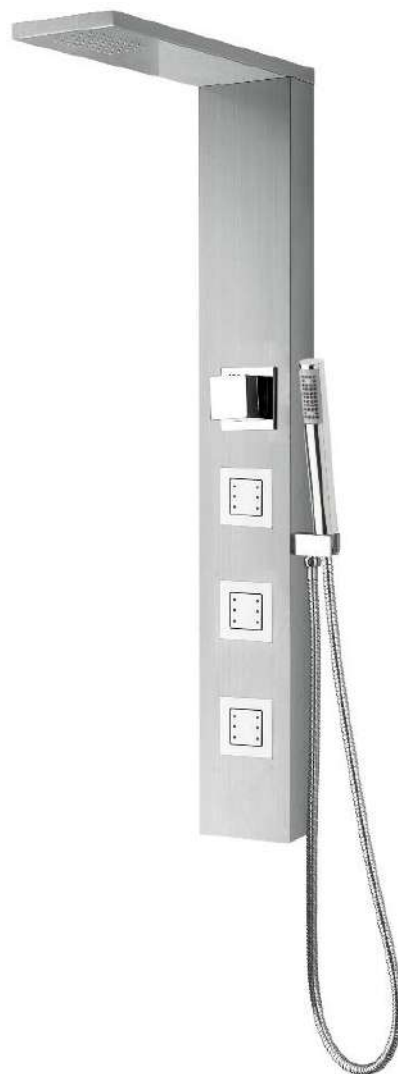
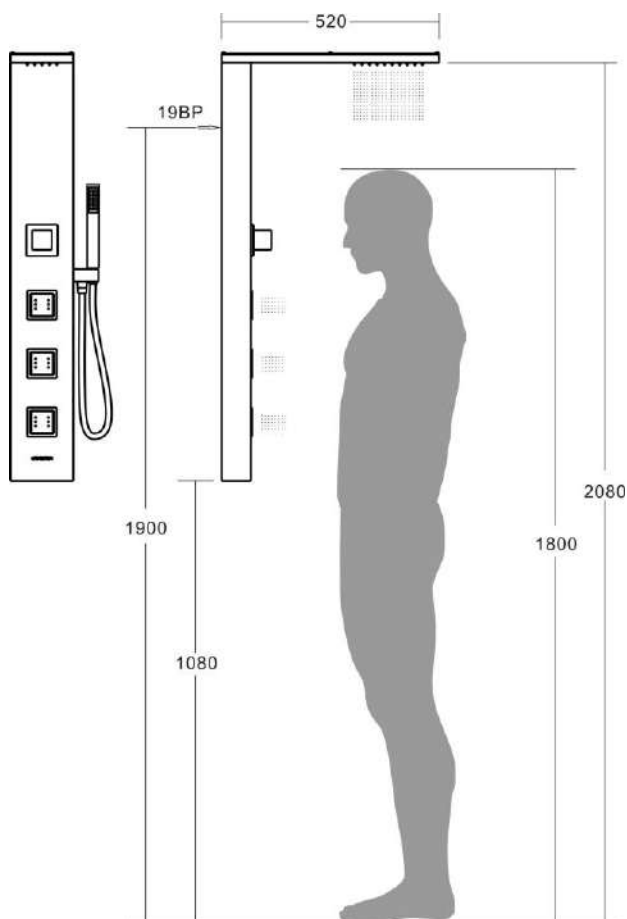


## LIFE™ Panel Shower

Featuring the Exclusive Collection

vito berton



### INSTALLATION DETAILS

- Hot and cold-water inlet pressures should be equal
- Inlet pressure 150 – 500 Kpa. Note New Building Regulation – 500Kpa maximum operating pressure at any outlet within the building (Refer AS/NZS 3500.1:2003 Clause 3.34)
- Maximum water temperature 75°C
- May not be suitable for use with gravity-fed water heaters, low and unequal pressure networks, instantaneous water heaters, tempering valves and thermostatic mixing valves
- Care taken to protect the flow controllers from blockage due to foreign debris and damage due to male connecting threads
- If it is possible for backflow to occur with the handset, then a double check valve will need to be installed as required by AS/NZS 3500 Plumbing & Drainage Code



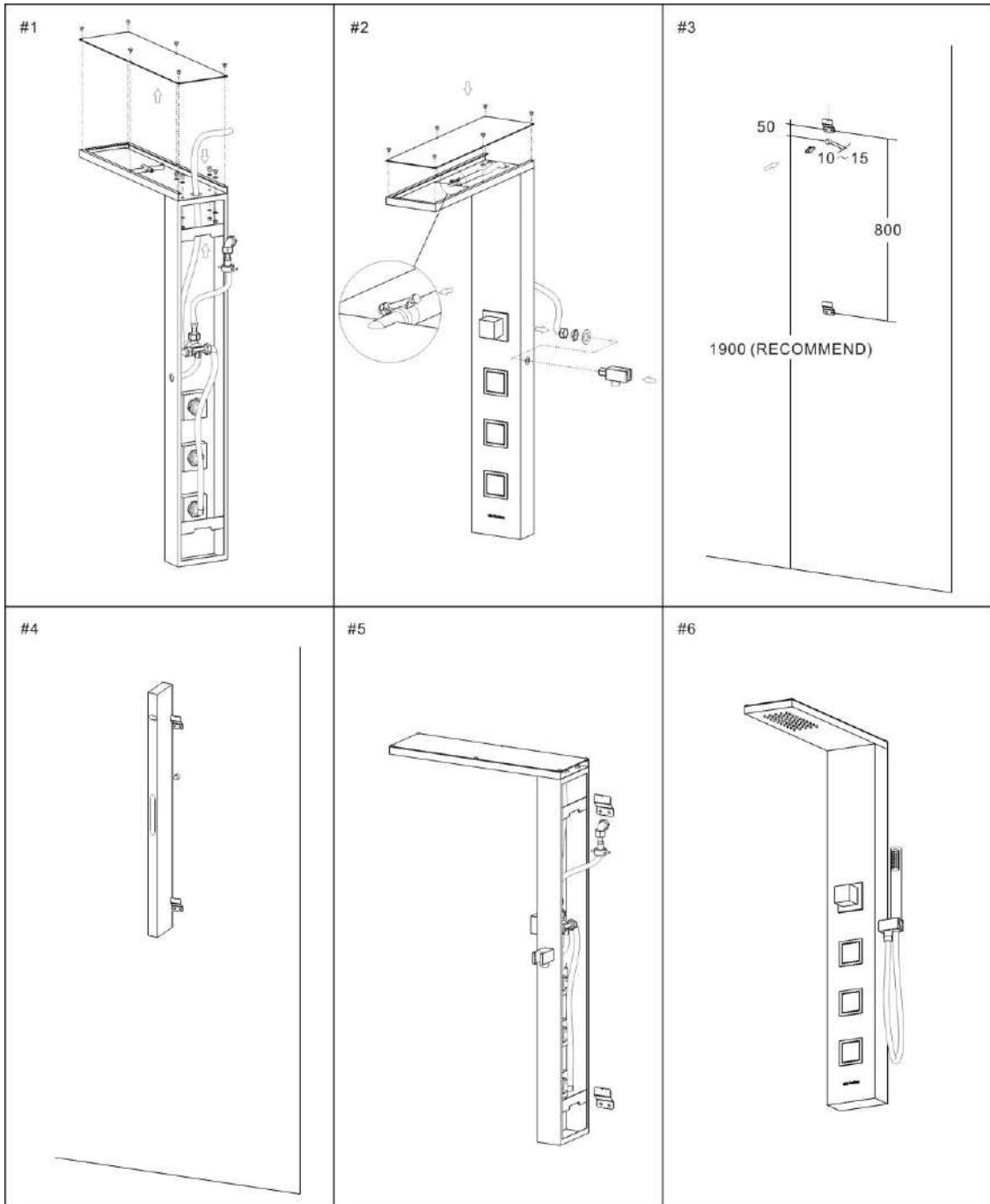
FOR MORE INFORMATION VISIT  
[www.aldertapware.com.au](http://www.aldertapware.com.au)

## LIFE™ Panel Shower

Featuring the Exclusive Collection

vito berton

### INSTALLATION PROCEDURE



### LIFE™ Panel Shower

Featuring the Exclusive Collection

vito berton

#### DIAGRAM #1

- Remove top cover from Rain Shower Arm (packed separately)– 6 screws
- Secure Rain Shower Arm to Panel Shower Body - 4 nuts & bolts (supplied)

#### DIAGRAM #2

- Connect Rain Shower to Shower Pipe and seal with Clamp (supplied)
- Replace top cover
- Assemble Handset Holder to Panel Shower Body

#### DIAGRAM #3

- Recommended 19BP height is 1900mm for typical user height 1800mm – see Man Figure Diagram Page # 1
- If desired user height different to 1800mm, then adjust 19BP height accordingly
- Reduce length of 19BP Shower Outlet to 10-15mm with Nipple Cutter
- Recommended Nipple Cutter – Reliance Worldwide Product Code A60-001
- Front edge of 19BP Shower Outlet is a sealing surface and must be flat and smooth
- Attach Top Wall Bracket at 50mm above the 19BP and Bottom Wall Bracket at 800 below Top Wall Bracket
- Dimension 50mm – from centre line of Wall Bracket Oval Holes to centre of 19BP
- Attach Wall Brackets with screws & plastic plugs (supplied) – 6mm masonry drill bit recommended
- Note Laser Markings on Wall Brackets to assist with vertical alignment
- Note Oval Screw Holes in Wall Brackets to assist with horizontal alignment in DIAGRAM #4

#### DIAGRAM #4

- Test straightness of Wall Brackets with a one metre long Levelling Tool
- If Panel Shower not vertical – adjust Wall Brackets accordingly

#### DIAGRAM #5

- Assemble Brass Elbow with Loose Nut onto 19 BP Shower Outlet
- Make sure that Brass Elbow points down and can rotate when in the sealed position
- Connect Flexible Connector to Brass Elbow with Loose Nut – tighten with integral yellow spanner

#### DIAGRAM #6

- Hook Panel Shower onto Wall Brackets – assemble Shower Hose and Handset



FOR MORE INFORMATION VISIT  
[www.aldertapware.com.au](http://www.aldertapware.com.au)