

alder

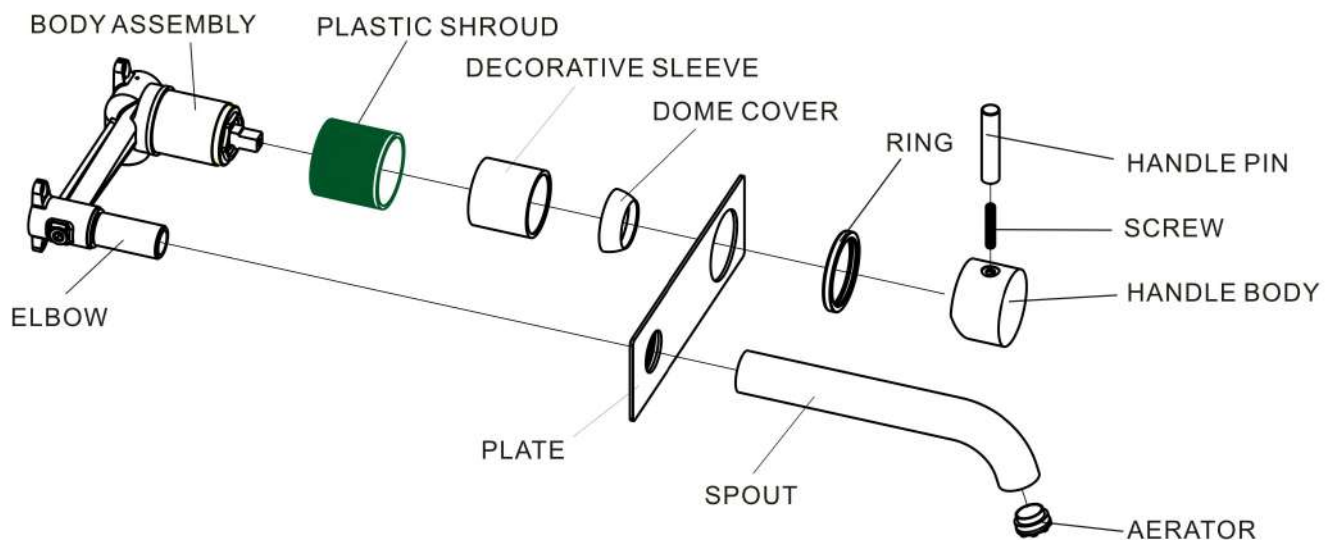
INSTALLATION INSTRUCTIONS

42510 ALDER UNIVERSAL FIXED CONCEALED ASSEMBLY MIXER LEVER UP SAVE MODE™ WISH2 WALL BASIN / BATH MIXER SET BACKPLATE TRIM KIT SAVE MODE™ TK2

CHROME	BLACK	BRUSHED NICKEL	BRASS	COPPER	GRAPHITE
TK242196S 180mm TKS42192S 220mm	TK240196S 180mm TK240192S 220mm	TK241196S 180mm TK241192S 220mm	TK242211S 220mm	TK242207S 220mm	TK242201S 220mm

SPECIAL NOTE

This product has been assembled as a WALL BASIN SET with a 5 STAR 6L/Min flow regulator with a full flow aerator for BATH application in the box. To change the flow regulator, use the aerator spanner supplied – see Diagram #6 page 2



BRICK VENEER – TIMBER NOGGING INSTALLATION

Diagram #1 Make level on the nogging and insert four screws - do not remove PROTECTIVE COVER and TILING PLUG

BRICK MASONRY INSTALLATION

Diagram #1 Make level in brickwork with self-tapping screws in 5mm drilled hole – when level and perpendicular to wall, assembly ready for cementing in wall - do not remove PROTECTIVE COVER and TILING PLUG

GENERAL FOR TIMBER NOGGING & BRICK MASONRY

Diagram #2 Before tiling remove PROTECTIVE COVER and TILING PLUG and re-assemble TILING PLUG onto ELBOW

Diagram #3 After tiling remove PROTECTIVE COVER and TILING PLUG

Diagram #4 Insert DECORATIVE SLEEVE & DOME CAP and WALL PLATE – TILING PLUG recess will accommodate REAR DRESS RING – recommend Plumbers' Mastic to prevent water ingress behind WALL PLATE

Diagram #5 Screw on SPOUT to ELBOW using sealing tape. Assemble SLIP RING onto MIXER BODY

Diagram #6 Assemble LEVER with supplied 2.5mm Allen Key. Ensure correct regulator / aerator is fitted to the spout.

NOTE: REFER TO UNIVERSAL WALL MIXER INSTRUCTIONS FOR MIXER WATERPROOFING

