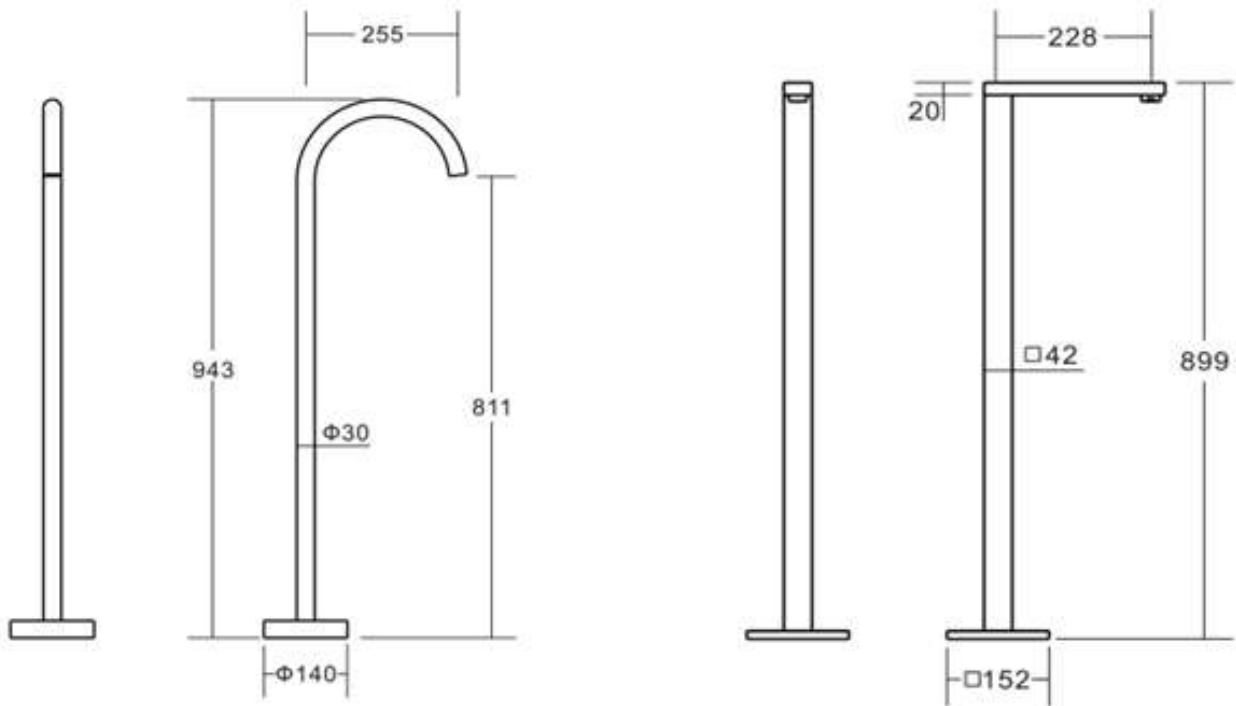
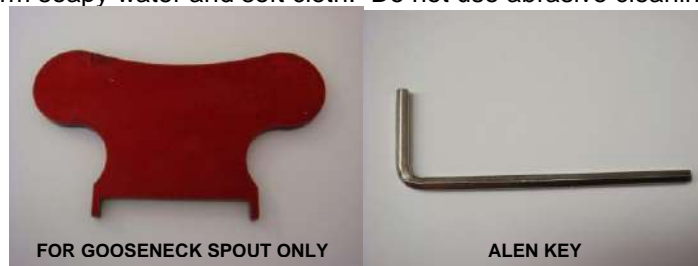


AQUAZZONE FLOOR MOUNT BATH FILLER GOOSENECK & RECTANGULAR



MAINTENANCE

- If a noticeable reduction of flow is experienced, remove and check the aerator with special aerator key provided
- Clean product with warm soapy water and soft cloth. Do not use abrasive cleaning solutions



WARRANTY

Warranty becomes void if:

- Products exposed to pressures that exceed 500 KPA and or temperatures that exceed 75°C within a building – Refer AS/NZS 3500.1:2003 (Clause 3.34)
- Product not installed in accordance with installation instructions – see over
- Inadequate flushing of system prior to usage, causing damage and/or obstructions to the product.

INSTALLATION: FLOOR MOUNTED BATH FILLER GOOSENECK & RECTANGULAR

INCLUDED IN BOX

Floor Mounted Spout; Cover Plate; Fixing Plate; Aerator Key (for Gooseneck Spout only) & Allen Key

SUGGESTED FIXING SYSTEM

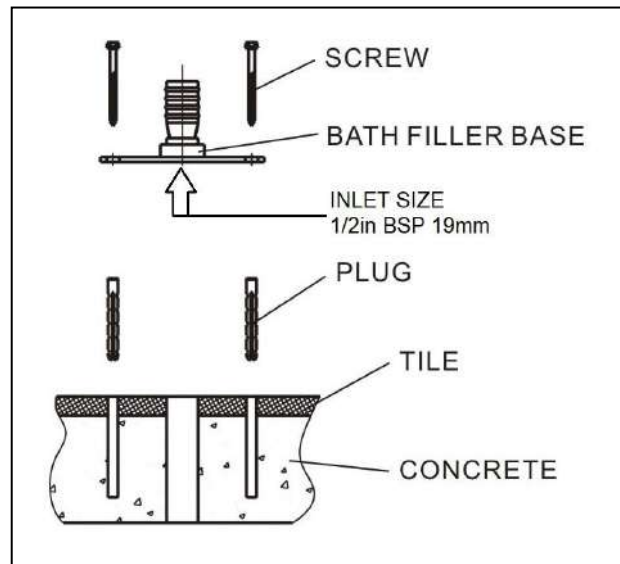
1. Coach Screw 14G x 75mm (maximum diameter 6.4mm)
2. Coach Screw Plug 8mm x 80mm (drill size 8mm)



Tapware is to be installed by a licenced plumber in accordance with AS/NZS 3500:2003

CONCRETE FLOORS

1. Check product for surface damage prior to installation
2. Screw down Bath Filler Base onto G1/2 male threaded water outlet until firm contact with tiles
3. Mark position for drilling holes and rotate Bath Filler Base anticlockwise to expose markings
4. Drill the three holes, taking care to protect the O-rings from dust and debris
5. Insert Ram Plugs and rotate Bath Filler Base clockwise to line up with Ram Plugs
6. Fully screw in Coach Screws
7. Install Cover Plate onto Bath Spout
8. Fully push Bath Spout over Bath Filler Base
9. Secure Bath Spout with two Allen Screws
10. Lower Cover Plate in place to complete assembly
11. The unique three-legged Bath Filler base will allow some vertical alignment if required
12. Once installed, check function of outlet and check for water leaks



TIMBER FLOORS

1. Instructions as above
2. Only use Coach Screws on Timber Floors
3. If Coach Screw Plug and Coach Screw penetrates water proofing – use sealant in drilled holes

